

TRACTOR TIPO 860 - 860 F - 860 V



| agria | | INDICE INDEX INDEX | | |
|----------------------------|------------------------|------------------------------------|-------------------------------|----------------------------------|
| Dibujo Design Dessin | Página Page Page | Denominación | Description | Designation |
| 28 | 115 | ARCOS DE SEGURIDAD Y ASIENTOS | COVERING AND SEAT | PROTECTION ET SIEGE |
| 8 | 29 | BARRAS DE CAMBIO | CONNECTIONG ROD | ARBRE DE COMMANDE DES VITESSES |
| 34 | 137 | CALCOMANÍAS | DECALS | DECALCOMANIES |
| 33 | 135 | CAPERUZA | HOOD | CAPOT |
| 27 | 111 | CUADRO DE MANDOS | INSTRUMENT BOARD | TABLEAU DE COMMANDE |
| 25 | 101 | DEPÓSITO DE COMBUSTIBLE Y SOPORTES | TANK AND SUPPORT | RESERVOIR ET SUPPORT |
| 3 | 10 | DESPIECE DE DIFERENCIAL TRASERO | DIFFERENTIAL PARTS | PIÉCES DE DIFFERENTIEL |
| 2 | 6 | DIFERENCIAL TRASERO | REAR DIFFERENTIAL | DIFFERENTEL ARRIÈRE |
| 15 | 57 | DIRECCIÓN HIDRÁULICA | HYDRAULIC STEERING | DIRECTION HYDRAULIQUE |
| 6 | 21 | EJE CONDUCTOR (Transmisión) | DRIVER SHAFT TRANSMISSION | TRANSMISSION DE ARBRE CONDUCTEUR |
| 7 | 26 | EJE TRACCION DELANTERA (Conjunto) | TRACTION SHAFT FRONT ASSEMBLY | ENSEMBLE ARBRE TRACTION AVANT |
| 4 | 12 | EJE SECUNDARIO (Conjunto) | SECONDARY SHAFT ASSEMBLY | ENSEMBLE AXE SECONDAIRE |
| 1 | 1 | EMBRAGUE | CLUTH | EMBRAYAGE |

TRACTOR TIPO 860 - 860 F - 860 V



| agria | | INDICE INDEX INDEX | | |
|----------------------------|------------------------|---|--|---|
| Dibujo Design Dessin | Página Page Page | Denominación | Description | Designation |
| 30 | 127 | ENGANCHE TRIPUNTAL | POINT HICHT | ATTELAGE À TREIS POINTS |
| 24 | 98 | FILTRO Y ESCAPE | FILTER AND MUFFLER | FILTRE ET POT D'ÉCHAPPEMENT |
| 13 | 46 | FRENO TRASERO (Sistema) | REAR SYSTEM OF BRAKE | SYSTÈME DE FREIN ARRIÈRE |
| 16 | 61 | FRENO Y BLOQUEO (Esquema hidráulico) | BRAKE AND BLOCKING HYDRAULIC DIAGRAM | SCHÉMA HYDRAULIQUE FREIN ET SERRURE |
| 11 | 39 | PALANCAS DE CONEXIÓN T.D.F | LEVERS P.T.O | LEVIER DE LA PRISE DE FORCE |
| 21 | 86 | PALIER DELANTERO (Acoplamiento) | COUPLING FRONT OF AXLE SHAFT | ACCOUPEMENT DE ARBRE DE ROUE |
| 22 | 89 | PEDALES DE FRENO Y EMBRAGUE | SYSTEM OF FOOT LEVER | SYSTÈME D'PÉDALE |
| 18 | 71 | PUENTE DELANTERO (Cuerpo central) | MIDDLE BODY FRONT BRIDGE | CORPS CENTRAL PONT AVANT |
| 29 | 121 | PLATAFORMA TRASERA | REAR PLATFORM | PLATAFORME ARRIÈRE |
| 12 | 42 | REDUCTORA TRASERA | REAR REDUCER | RÉDUCTEUR |
| 14 | 51 | REGULADOR DE ESFUERZO PROFUNDIDAD | STRESS-DEPTH REGULATOR | REGULATEUR EFFORT-PROFUNDEUR |
| 26 | 105 | REPOSAPIES Y ACELERADORES | ACCELERATOR AND FOOT-HOLD | REPOSE PIEDS ET ACCÉLÉRATEUR |
| 35 | 142 | RUEDAS | WHEELS | ROUES |

TRACTOR TIPO 860 - 860 F - 860 V



| agria | | INDICE INDEX INDEX | | |
|----------------------------|------------------------|-------------------------------------|-------------------------------|---|
| Dibujo Design Dessin | Página Page Page | Denominación | Description | Designation |
| 32 | 133 | SISTEMA ELÉCTRICO | ELECTRICAL EQUIPEMENT | INSTALLATION ÉLECTRIQUE |
| 23 | 93 | SOPORTE DE PUENTE DELANTERO | FRONTA AXLE SUPPORT | SUPPORT DE PONT AVANT |
| 31 | 130 | SOPORTES Y PROTECCIONES TRASERAS | REAR SUPPORT AND PROTECTION | SUPPORT ET PROTECTION ARRIERE |
| 9 | 32 | TAPA SOPORTE BRAZO DE ELEVACIÓN | LIFT ARMCOVER SUPPORT | COUVERCLE SUPPORT DE RELEVANGE |
| 10 | 35 | TAPAS DE CARTER DELANTERO | CASE COVER | COUVERCLE DE CARTER |
| 5 | 16 | TOMA DE FUERZA (Transmisión) | TRANSMISSION P.T.O | TRANSMISSION DE LA PRISE DE FORCE |
| 19 | 76 | TROMPETA DERECHA PUENTE DELANTERO | RIGHT BELLMOUTH FRONT AXLE | TROMPETTE ENTOURANT UN ARBRE PONT-AVANT |
| 20 | 82 | TROMPETA IZQUIERDA PUENTE DELANTERO | LEFT BELLMOUTH FRONT AXLE | TROMPETTE ENTOURANT UN ARBRE PONT-AVANT |
| 17 | 66 | TUBOS HIDRÁULICOS DE PLATAFORMA | HYDRAULIC DIAGRAM OF PLATFORM | SCHÉMA HYDRAULIQUE DE PLATEFORME |
| | | | | |
| | | | | |
| | | | | |
| | | | | |

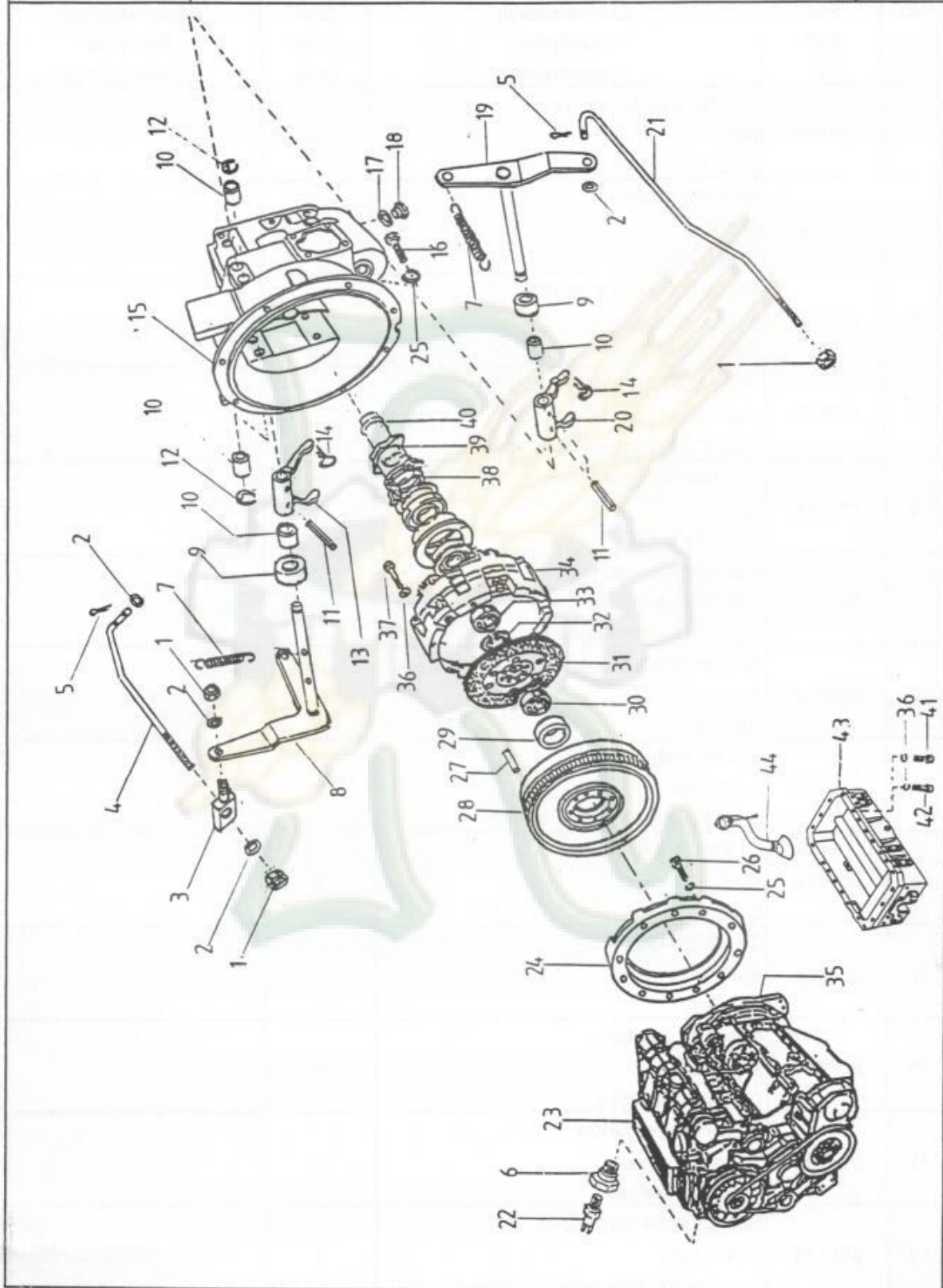


agria

Dibujo N
Design N 1
Dessin N

SISTEMA DE EMBRAGUE CLUTH SYSTEM SYSTÈME D'EMBRAYAGE

Pag.
1



TRACTOR TIPO 860 - 860 F - 860 V



| agria Dibujo N 1 Design N 1 Dessin N 1 | | SISTEMA DE EMBRAGUE CLUTH SYSTEM SYSTÈME D'EMBRAYAGE | | | Pag. 2 |
|--|----------------------|--|----------------------|---|-----------|
| Pos. Pos. Pos. | Ref. Ref. Ref. | Denominación Description Designation | Can. Qua. Qua. | Observaciones Remarks Observaciones | |
| 1 | 006660 | Tuerca autoblocante Nut Ecrou | 3 | | |
| 2 | 007840 | Arandela plana Washer Rondelle | 4 | | |
| 3 | 809317 | Bulón de giro de varillas Rod bott sluing Rotule de tiges | 1 | | |
| 4 | 809319 | Varilla palanca de embrague Cluth lever union rod Tige d'union levier d'embrayage | 1 | | |
| 5 | 014600 | Pasador de horquilla Split pin Goupille fendue | 2 | | |
| 6 | 809220 | Porta termo resistencia Thermoregulator support Support thermorégulator | 1 | | |
| 7 | 809056 | Muelle de tracción Spring Ressort | 2 | | |
| 8 | 808790 | Eje de embrague Cluth axle Axe d'embrayage | 1 | | |
| 9 | 809529 | Casquillo separador Bush Bague | 2 | | |
| 10 | 807936 | Casquillo GLY Bush Bague | 4 | | |
| 11 | 807156 | Pasador elástico Flexible pin Goupille élastique | 4 | | |
| 12 | 014150 | Anillo de retención Seeger washer Rondelle seeger | 2 | | |
| 13 | 808784 | Horquilla de embrague Clutch fork Fourche d'embrayage | 1 | | |

TRACTOR TIPO 860 - 860 F - 860 V



| agria Dibujo N 1 Design N Dessin N | | SISTEMA DE EMBRAGUE CLUTH SYSTEM SYSTÈME D'EMBRAYAGE | | | Pag. 3 |
|--|--------|---|------|---------------|-----------|
| Pos. | Ref. | Denominación | Can. | Observaciones | |
| Pos. | Ref. | Description | Qua. | Remarks | |
| Pos. | Ref. | Designation | Qua. | Observaciones | |
| 14 | 808785 | Resorte de sujeción Spring Ressort | 4 | | |
| 15 | 808757 | Carter de cambio delantero Gearshift front Carter changement avant | 1 | | |
| 16 | 001270 | Tornillo hexagonal Screw Vis | 8 | | |
| 17 | 800045 | Arandela junta Washer Rondelle | 1 | | |
| 18 | 020690 | Tapón de purga Plug Bouchon | 1 | | |
| 19 | 808791 | Eje de embrague Cluth axle Axe d'embrayage | 1 | | |
| 20 | 808783 | Horquilla de embrague Clutch fork Fourche d'embrayage | 1 | | |
| 21 | 809318 | Varilla pedal de embrague Clutch lever union rod Tige d'union levier d'embrayage | 1 | | |
| 22 | 809219 | Termoresistencia Thermoregulator Thermorégulation | 1 | | |
| 23 | 809473 | Motor DEUTZ Engine Moteur | 1 | | |
| 24 | 809246 | Disco de acoplamiento Coupling disk Disque d'accouplement | 1 | | |
| 25 | 012970 | Arandela grower Grower washer Rondelle grower | 16 | | |
| 26 | 002530 | Tornillo allen Screw Vis | 8 | | |

TRACTOR TIPO 860 - 860 F - 860 V



| agria Dibujo N 1 Design N Dessin N | | SISTEMA DE EMBRAGUE CLUTH SYSTEM SYSTÈME D'EMBRAYAGE | | | Pag. 4 |
|--|--------|---|------|---------------|-----------|
| Pos. | Ref. | Denominación | Can. | Observaciones | |
| Pos. | Ref. | Description | Qua. | Remarks | |
| Pos. | Ref. | Designation | Qua. | Observaciones | |
| 27 | 085650 | Pitón guía Guide Guide | 3 | | |
| 28 | 809244 | Volante de embrague Pressure plate Plateau d'embrayage | 1 | | |
| 29 | 809247 | Casquillo de apoyo Bush Bague | 1 | | |
| 30 | 808877 | Rodamiento de bolas Ball bearing Roulement à billes | 1 | | |
| 31 | 808781 | Disco de embrague Clutch plate Disque d'embrayage | 1 | | |
| 32 | 013860 | Arandela seeger Seeger washer Rondelle seeger | 1 | | |
| 33 | 164390 | Rodamiento de bolas Ball bearing Roulement à billes | 1 | | |
| 34 | 808780 | Doble embrague Clutch Embrayage | 1 | | |
| 35 | 809245 | Carcasa de acoplamiento Coupling casing Carter d'accouplement | 1 | | |
| 36 | 012960 | Arandela grower Grower washer Rondelle grower | 26 | | |
| 37 | 000730 | Tornillo hexagonal Screw Vis | 6 | | |
| 38 | 808902 | Empujador de embrague completo Clutch release Buttée d'embrayage | 1 | | |
| 39 | 808901 | Empujador de embrague Clutch release Buttée d'embrayage | 1 | | |

TRACTOR TIPO 860 - 860 F - 860 V



| agri Dibujo N 1 Design N Dessin N | | SISTEMA DE EMBRAGUE CLUTH SYSTEM SYSTÈME D'EMBRAYAGE | | | Pag. 5 |
|--|----------------------|---|----------------------|---|-----------|
| Pos. Pos. Pos. | Ref. Ref. Ref. | Denominación Description Designation | Can. Qua. Qua. | Observaciones Remarks Observaciones | |
| 40 | 808591 | Casquillo guía empujador Guide bush pusher Bague guide poussoir | 1 | | |
| 41 | 002180 | Tornillo allen Screw M-8 x 30 Vis | 16 | | |
| 42 | 002150 | Tornillo allen Screw M-8 x 50 Vis | 4 | | |
| 43 | 809288 | Carter inferior de motor Case Carter | 1 | | |
| 44 | 809800 | Tubo de admisión Pipe Tuyau | 1 | | |
| | | | | | |
| | | | | | |
| | | | | | |
| | | | | | |
| | | | | | |
| | | | | | |
| | | | | | |
| | | | | | |
| | | | | | |

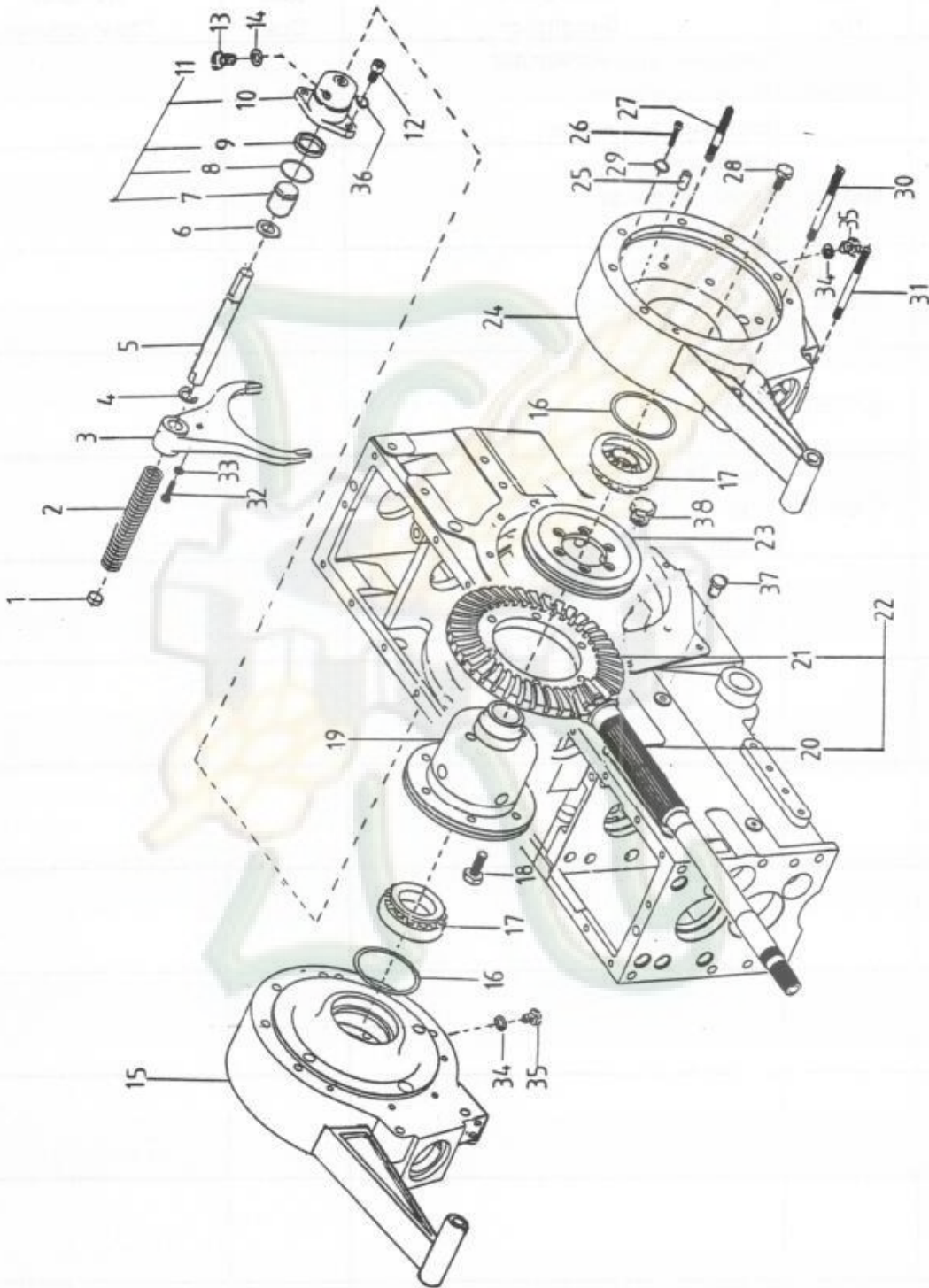


agria

Dibujo N
Design N 2
Dessin N

SISTEMA DE DIFERENCIAL TRASERO
REAR DIFFERENTIAL SYSTEM
SYSTÈME DE DIFFÉRENTIEL ARRIÈRE

Pag.
6



TRACTOR TIPO 860 - 860 F - 860 V



| Pos. | | Ref. | Denominación | Can. | Observaciones |
|------|--------|--|--|------|---------------|
| Pos. | | Ref. | Description | Qua. | Remarks |
| Pos. | | Ref. | Designation | Qua. | Observaciones |
| | | | SISTEMA DE DIFERENCIAL TRASERO | | |
| | | | REAR DIFFERENTIAL SYSTEM | | |
| | | | SYSTÈME DE DIFFÉRENTIEL ARRIÈRE | | |
| | | | | | Pag. 7 |
| 1 | 808565 | Tapón Plug Bouchon | 1 | | |
| 2 | 808618 | Muelle bloqueo trasero Rear blocking spring Ressort bloquer arriere | 1 | | |
| 3 | 808672 | Horquilla de bloqueo Blocking fork Fourchette de bloquer | 1 | | |
| 4 | 014160 | Anillo de retención Retention ring Bague de retenue | 1 | | |
| 5 | 808673 | Eje de bloqueo Blocking shaft Axe de bloquer | 1 | | |
| 6 | 808822 | Arandela de distancia Washer Rondelle | 2 | | |
| 7 | 808546 | Pistón bloqueo diferencial Differential blocking piston Piston de bloquer différentiel | 1 | | |
| 8 | 807871 | Anillo tórico O'ring Joint torique | 1 | | |
| 9 | 808823 | Junta de labios Flange Collerette | 1 | | |
| 10 | 808545 | Cilindro de bloqueo diferencial Blocking cylinder Cylindre du bloquer | 1 | | |
| 11 | 809078 | Cilindro bloqueo diferencial compl. Blocking cylinder compl. Cylindre du bloquer compl. | 1 | | |
| 12 | 002160 | Tornillo allen Screw Vis | 2 | | |
| 13 | 000800 | Tornillo hexagonal Screw Vis | 1 | | |

TRACTOR TIPO 860 - 860 F - 860 V



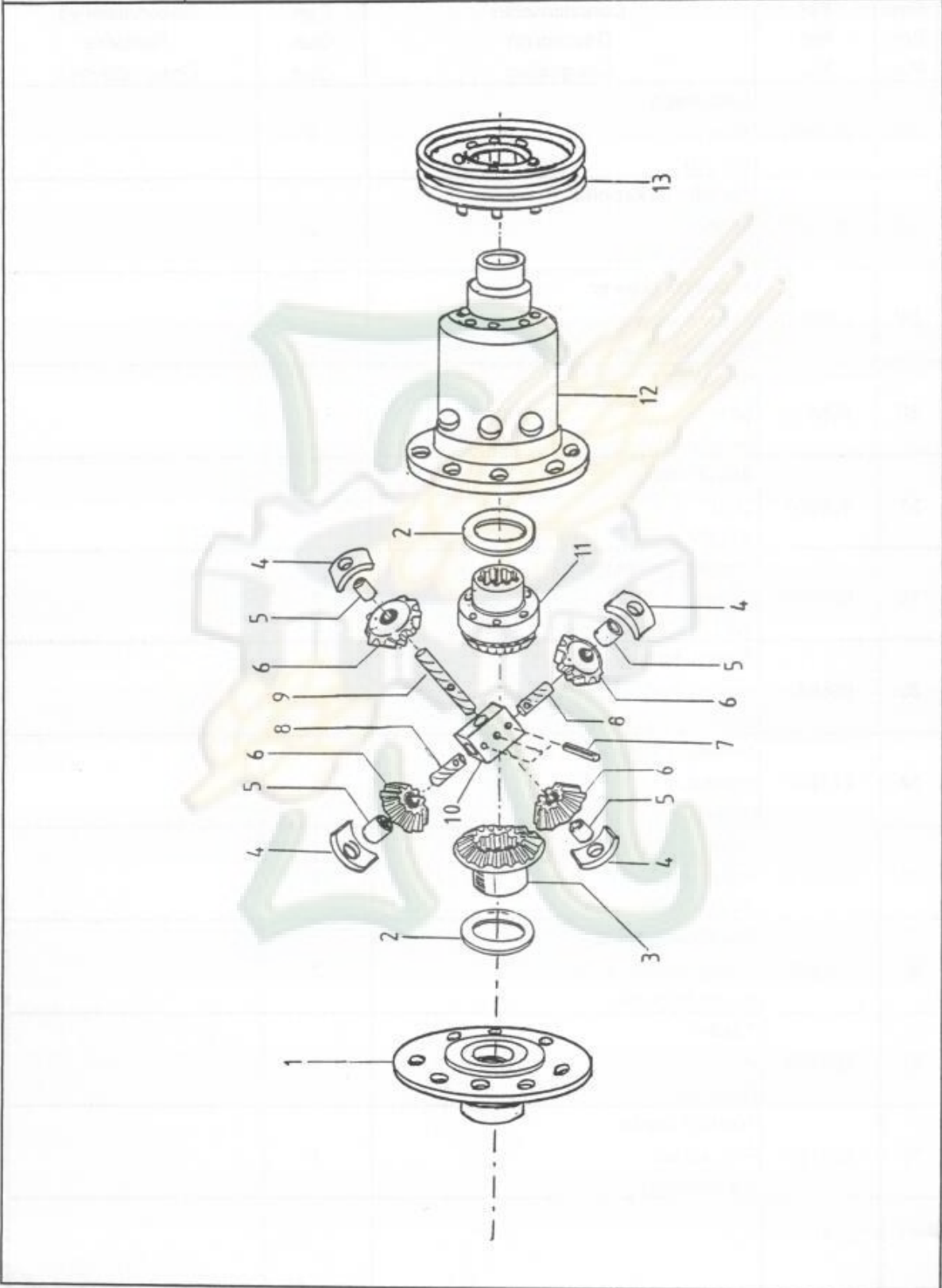
| agria Dibujo N 1 Design N Dessin N | | SISTEMA DE DIFERENCIAL TRASERO REAR DIFFERENTIAL SYSTEM SYSTÈME DE DIFFÉRENTIEL ARRIÈRE | | | Pag. 8 |
|--|----------------------------|--|------|---------------|-----------|
| Pos. | Ref. | Denominación | Can. | Observaciones | |
| Pos. | Ref. | Description | Qua. | Remarks | |
| Pos. | Ref. | Designation | Qua. | Observaciones | |
| 14 | 008610 | Arandela junta Washer Rondelle | 1 | | |
| 15 | 808752 | Carcasa porta freno derecho Case of brake right Carter de frein droite | 1 | | |
| 16 | 807864 808894 808895 | Arandela de distancia Washer Rondelle | X | | |
| 17 | 807928 | Rodamiento cónico Taper rolling bearing Roulement á rouleaux coniques | 2 | | |
| 18 | 808904 | Tornillo hexagonal Screw Vis | 8 | | |
| 19 | 809028 | Diferencial trasero completo Rear differential compl Différentiel arrière compl. | 1 | | |
| 20 | 808574 | Piñón cónico diferencial Differential pinion Pignon différentiel | 1 | | |
| 21 | 808575 | Corona de diferencial Crown wheel Couronne différentiel | 1 | | |
| 22 | 808576 | Conjunto piñón corona Pinion and crown Couple conique | 1 | | |
| 23 | 808593 | Casquillo bloqueo dif. Completo Blacking bush Bague de blocage | 1 | | |
| 24 | 808753 | Carcasa porta freno izquierdo Case of brake left Carter de frein gauche | 1 | | |
| 25 | 808826 | Pasador cilíndrico Pin Goupille | 6 | | |
| 26 | 002440 | Tornillo hallen Screw Vis | 6 | | |

TRACTOR TIPO 860 - 860 F - 860 V



| agria Dibujo N 1 Design N Dessin N | | SISTEMA DE DIFERENCIAL TRASERO REAR DIFFERENTIAL SYSTEM SYSTÈME DE DIFFÉRENTIEL ARRIÈRE | | | Pag. 9 |
|--|----------------------|--|----------------------|---|-----------|
| Pos. Pos. Pos. | Ref. Ref. Ref. | Denominación Description Designation | Can. Qua. Qua. | Observaciones Remarks Observaciones | |
| 27 | 808821 | Espárrago Stud Goujon | 6 | | |
| 28 | 001270 | Tornillo hexagonal Screw Vis | 2 | | |
| 29 | 012800 | Arandela grower Grower washer Rondelle grower | 8 | | |
| 30 | 808872 | Espárrago Stud Goujon | 2 | | |
| 31 | 808851 | Espárrago Stud Goujon | 2 | | |
| 32 | 001190 | Tornillo hexagonal Screw Vis | 1 | | |
| 33 | 005951 | Tuerca hexagonal Nut Ecrou | 1 | | |
| 34 | 271260 | Arandela junta Washer Rondelle | 2 | | |
| 35 | 020670 | Tornillo tapón Plug screw Vis bouchon | 2 | | |
| 36 | 012820 | Arandela grower Spring washer A-10 Rondelle grower | 2 | | |
| 37 | 808564 | Tapón Plug Bouchon | 1 | | |
| 38 | 809720 | Tornillo tapón Plug screw Vis bouchon | 1 | | |
| | | | | | |

SISTEMA DE DIFERENCIAL TRASERO REAR DIFFERENTIAL SYSTEM SYSTÈME DE DIFFERENTIEL ARRIÈRE



TRACTOR TIPO 860 - 860 F - 860 V



| agria Dibujo N 3 Design N Dessin N | | SISTEMA DE DIFERENCIAL TRASERO REAR DIFFERENTIAL SYSTEM SYSTÈME DE DIFFERENTIEL ARRIÈRE | | | Pag. 11 |
|--|--------|--|------|---------------|------------|
| Pos. | Ref. | Denominación | Can. | Observaciones | |
| Pos. | Ref. | Description | Qua. | Remarks | |
| Pos. | Ref. | Designation | Qua. | Observaciones | |
| 1 | 808777 | Tapa de diferencial Differential cover Couvercle de differential | 1 | | |
| 2 | 808905 | Arandela apoyo de planetario Planetary washer Rondelle de planétaire | 2 | | |
| 3 | 808889 | Planetario diferencial trasero Planetary Planétaire | 1 | | |
| 4 | 808898 | Arandela apoyo satélite Support washer satellite Rondelle support satellite | 4 | | |
| 5 | 808897 | Casquillo de satélite Satellite bush Bague de satellite | 4 | | |
| 6 | 808890 | Satélite diferencial Differential satellite Satellite de differential | 4 | | |
| 7 | 808156 | Pasador elástico Pin Goupille | 3 | | |
| 8 | 808892 | Bulón corto de satélite Satellite bolt short Boulon court de satellite | 2 | | |
| 9 | 808891 | Bulón largo de satélite Satellite bolt length Boulon long de satellite | 1 | | |
| 10 | 808893 | Taco soporte de bulones Shaft retainer Croisillon | 1 | | |
| 11 | 808888 | Planetario de bloqueo diferencial Blocking planetary Planétaire du serrure | 1 | | |
| 12 | 808778 | Carcasa de diferencial Differential case Carter de différentiel | 1 | | |
| 13 | 808593 | Casquillo de bloqueo Blaking bush Bague de blocage | 1 | | |

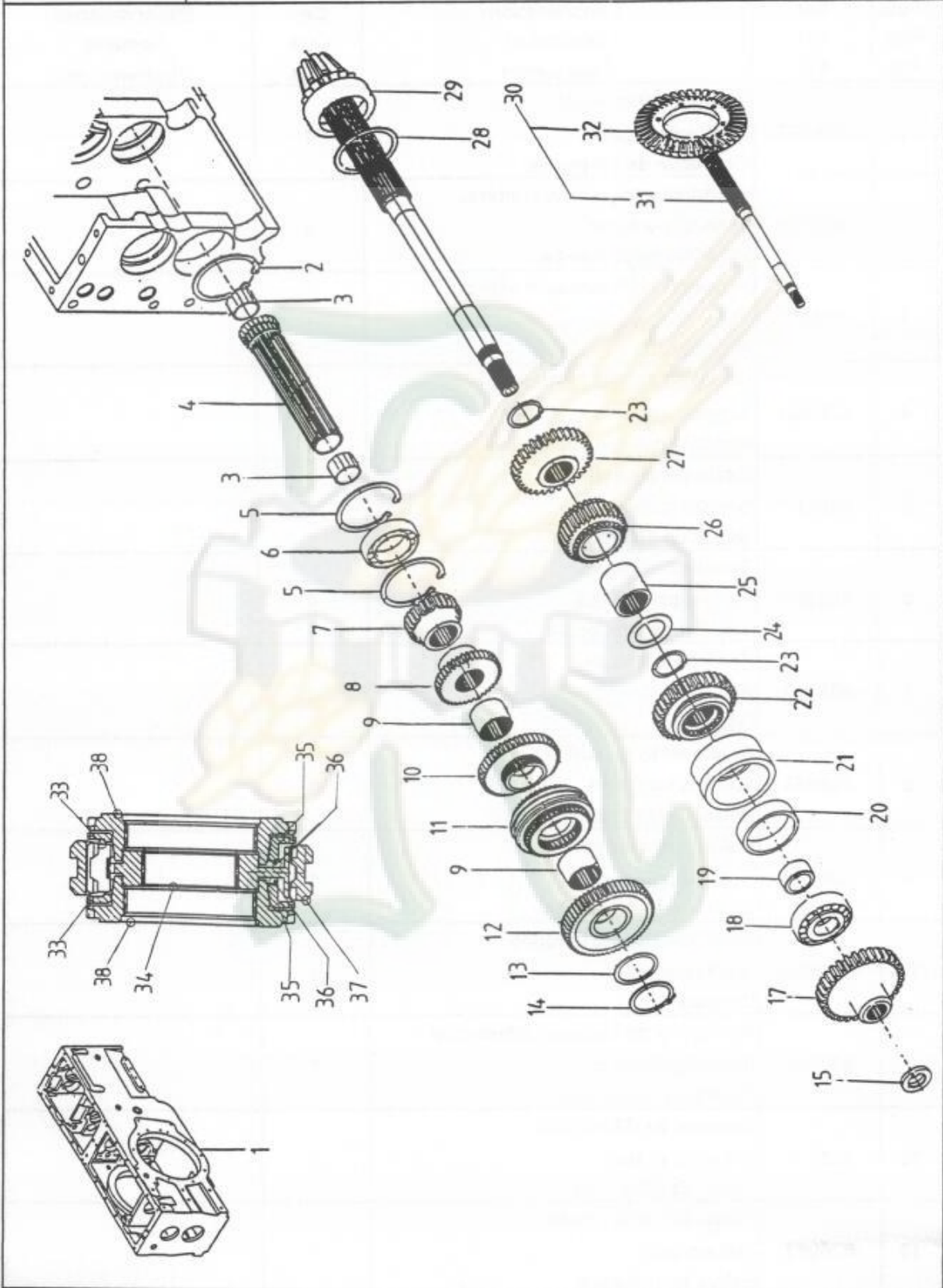


agria

Dibujo N
Design N 4
Dessin N

**CONJUNTO EJE SECUNDARIO
SECONDARY SHAFT ASSEMBLY
ENSEMBLE AXE SECONDAIRE**

Pag.
12



TRACTOR TIPO 860 - 860 F - 860 V



| agria Dibujo N 4 Design N Dessin N | | CONJUNTO EJE SECUNDARIO SECONDARY SHAFT ASSEMBLY ENSEMBLE AXE SECONDAIRE | | | Pag. 13 |
|--|----------------------|---|----------------------|---|------------|
| Pos. Pos. Pos. | Ref. Ref. Ref. | Denominación Description Designation | Can. Qua. Qua. | Observaciones Remarks Observaciones | |
| 1 | 808756 | Carter central Central casing Carter central | 1 | | |
| 2 | 013950 | Arandela seeger Seeger washer Rondelle seeger | 1 | | |
| 3 | 808846 | Rodamiento de agujas Roller bearing Roulement à aiguilles | 2 | | |
| 4 | 808639 | Eje secundario Secondary shaft Axe secondaire | 1 | | |
| 5 | 013930 | Arandela seeger Seeger washer Rondelle seeger | 2 | | |
| 6 | 025570 | Rodamiento de bolas Ball bearing 6008 Roulement à billes | 1 | | |
| 7 | 808510 | Engrane conducido Gear Engranage | 1 | | |
| 8 | 808513 | Engrane conducido Gear Engranage | 1 | | |
| 9 | 808580 | Casquillo de bronce Brass bush Frette en bronze | 2 | | |
| 10 | 808514 | Engrane conducido Gear Engranage | 1 | | |
| 11 | 808635 | Sincronizador I-II Synchronizer Synchronisateur | 1 | | |
| 12 | 808516 | Engrane conducido Gear Engranage | 1 | | |
| 13 | 808811 | Arandela de distancia Spacer washer Rondelle de distance | 1 | | |

TRACTOR TIPO 860 - 860 F - 860 V



| agria Dibujo N 4 Design N Dessin N | | CONJUNTO EJE SECUNDARIO SECONDARY SHAFT ASSEMBLY ENSEMBLE AXE SECONDAIRE | | | Pag. 14 |
|--|--------|---|------|---------------|------------|
| Pos. | Ref. | Denominación | Can. | Observaciones | |
| Pos. | Ref. | Description | Qua. | Remarks | |
| Pos. | Ref. | Designation | Qua. | Observaciones | |
| 14 | 808842 | Arandela seeger Seeger washer Rondelle seeger | 1 | | |
| 15 | 808837 | Tuerca Nut Ecrou | 1 | | |
| 16 | | | | | |
| 17 | 808524 | Engrane conductor Gear Engranage | 1 | | |
| 18 | 767310 | Rodamiento cónico Gear Engranage | 1 | | |
| 19 | 808584 | Casquillo Bush Bague | 1 | | |
| 20 | 808583 | Casquillo tope Butts bush Frette butée | 1 | | |
| 21 | 808582 | Casquillo porta rodamiento Bush Bague | 1 | | |
| 22 | 808505 | Engrane conducido lentas Gear Engranage | 1 | | |
| 23 | 013410 | Arandela seeger Seeger washer Rondelle seeger | 2 | | |
| 24 | 808874 | Arandela de distancia Spacer washer Rondelle de distance | 2 | | |
| 25 | 808579 | Casquillo de bronce Brass bush Bague de bronze | 1 | | |
| 26 | 808509 | Desplazable lentas-medias-cortas Long-short sliding Depacable de longues-courtes | 1 | | |

TRACTOR TIPO 860 - 860 F - 860 V



| agria Dibujo N 4 Design N Dessin N | | CONJUNTO EJE SECUNDARIO SECONDARY SHAFT ASSEMBLY ENSEMBLE AXE SECONDAIRE | | | Pag. 15 |
|--|--------|---|------|---------------|------------|
| Pos. | Ref. | Denominación | Can. | Observaciones | |
| Pos. | Ref. | Description | Qua. | Remarks | |
| Pos. | Ref. | Designation | Qua. | Observaciones | |
| 27 | 808540 | Engrane conductor Gear Engranaage | 1 | | |
| 28 | 796140 | Arandela de distancia Distance washer Rondelle de distance | 1 | | |
| 29 | 808847 | Rodamiento cónico Conical bearing 32207 Roulement conique | 1 | | |
| 30 | 808576 | Conjunto piñón corona Pinion and crown Couple conique | 1 | | |
| 31 | 808574 | Piñón cónico diferencial Differential pinion Pignon différentiel | 1 | | |
| 32 | 808575 | Corona de diferencial Crown wheel Couronne différentiel | 1 | | |
| 33 | 808633 | Chaveta sincronizador Key Clavette | 1 | | |
| 34 | 808631 | Casquillo central Central bush Bague centrale | 1 | | |
| 35 | 808632 | Sincronizador Synchonizer Synchronisateur | 1 | | |
| 36 | 808634 | Muelle sincronizador Synchonizer spring Ressort synchronisateur | 2 | | |
| 37 | 808630 | Casquillo desplazable Desplacer bush Bague centrale | 1 | | |
| 38 | 808636 | Corona dentada Sprocket gear Couronne denteé | 2 | | |
| | | | | | |

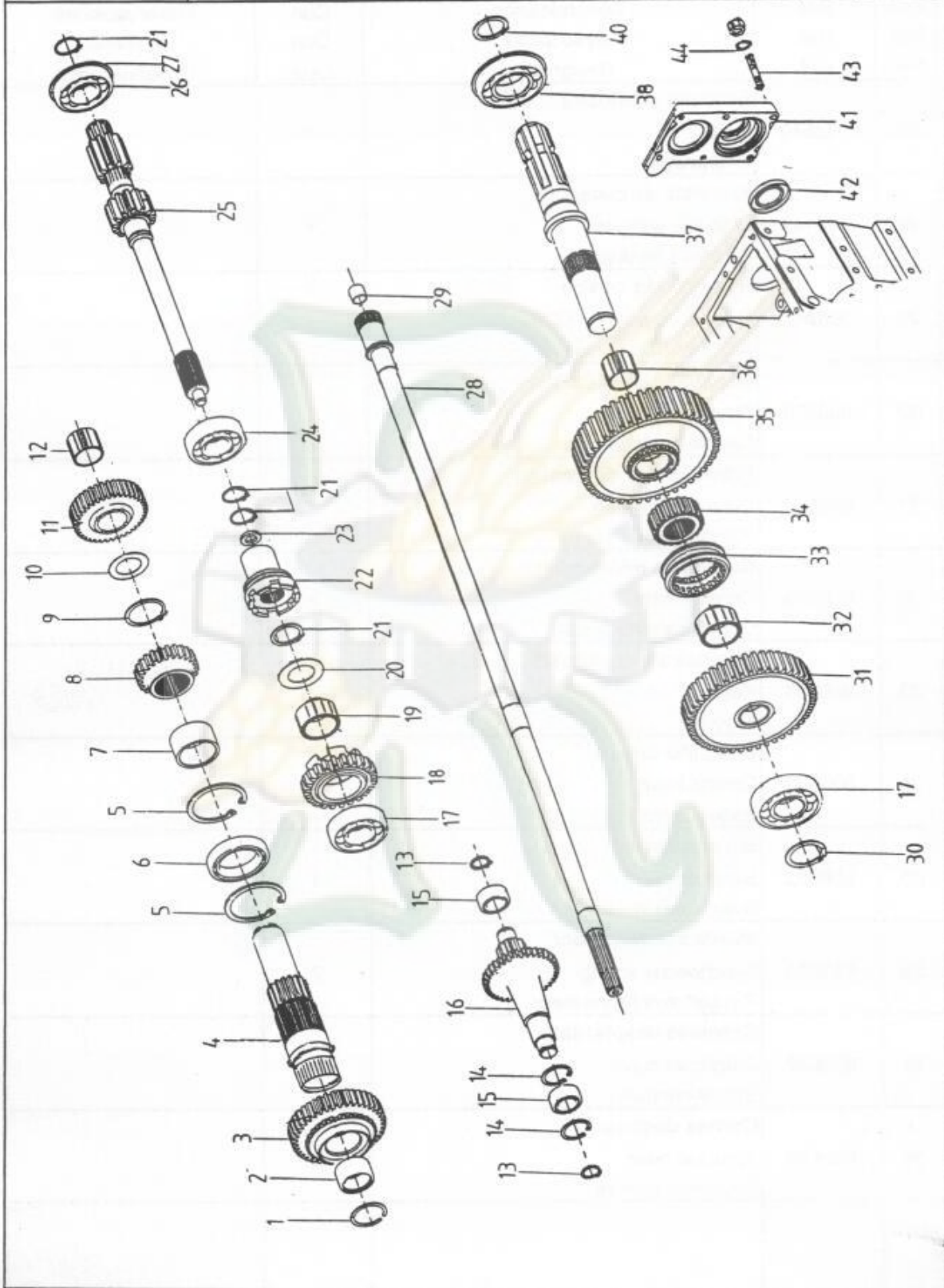


agria

Dibujo N
Design N 5
Dessin N

TRANSMISIÓN DE TOMA DE FUERZA TRANSMISION OF P.T.O TRANSMISSION DE LA PRISE DE FORCE

Pag.
16



TRACTOR TIPO 860 - 860 F - 860 V



| Pos. | | Ref. | Denominación | Can. | Observaciones |
|------|--------|--|--------------|------|---------------|
| Pos. | | Ref. | Description | Qua. | Remarks |
| Pos. | | Ref. | Designation | Qua. | Observaciones |
| 1 | 808834 | Anillo circlips Circlips ring Bague circlips | 1 | | |
| 2 | 808833 | Rodamiento de agujas Roller bearing Roulement a roulett | 1 | | |
| 3 | 808876 | Engrane conductor Gear Engranage | 1 | | |
| 4 | 808511 | Eje soporte engranaje Support shaft Axe support | 1 | | |
| 5 | 013930 | Anillo seeger Seeger washer Rondelle seeger | 2 | | |
| 6 | 808561 | Rodamiento de bolas Ball bearing 61909 Roulement á billes | 1 | | |
| 7 | 808592 | Casquillo de distancia Bush Bague | 1 | | |
| 8 | 808508 | Engrane conductor Gear Engranage | 1 | | |
| 9 | 013440 | Anillo seeger Seeger washer Rondelle seeger | 1 | | |
| 10 | 808829 | Arandela de distancia Washer Rondelle | 1 | | |
| 11 | 808506 | Engrane de lentas Gear Engranage | 1 | | |
| 12 | 807176 | Rodamiento de agujas Roller bearing Roulement á roulett | 1 | | |
| 13 | 808832 | Anillo seeger Seeger washer Rondelle seeger | 2 | | |

agria
Dibujo N 5
Design N
Dessin N

TRANSMISIÓN DE TOMA DE FUERZA TRANSMISION OF P.T.O TRANSMISSION DE LA PRISE DE FORCE

Pag.
17

TRACTOR TIPO 860 - 860 F - 860 V



| agria Dibujo N 5 Design N Dessin N | | TRANSMISIÓN DE TOMA DE FUERZA TRANSMISION OF P.T.O TRANSMISSION DE LA PRISE DE FORCE | | | Pag. 18 |
|--|--------|---|------|---------------|------------|
| Pos. | Ref. | Denominación | Can. | Observaciones | |
| Pos. | Ref. | Description | Qua. | Remarks | |
| Pos. | Ref. | Designation | Qua. | Observaciones | |
| 14 | 808830 | Anillo seeger Seeger washer Rondelle seeger | 2 | | |
| 15 | 808562 | Rodamiento de rodillos Roller bearing Roulement á roulett | 2 | | |
| 16 | 808541 | Engrane reductora lentas Gear Engranage | 1 | | |
| 17 | 025840 | Rodamiento Bearing 6306 Roulement | 2 | | |
| 18 | 808539 | Engrane conducido Gear Engranage | 1 | | |
| 19 | 808828 | Rodamiento de agujas Roller bearing Roulement d'roulett | 1 | | |
| 20 | 808558 | Arandela de distancia Washer Rondelle | 1 | | |
| 21 | 013340 | Anillo seeger Seeger washer Rondelle seeger | 4 | | |
| 22 | 808637 | Casquillo de conexión T.D.F Connector bush Bague conecteur | 1 | | |
| 23 | 802953 | Arandela de distancia Washer Rondelle | 1 | | |
| 24 | 025820 | Rodamiento de bolas Ball bearing Roulement á billes | 1 | | |
| 25 | 808504 | Eje superior PTO Upper shaft Axe supérieur | 1 | | |
| 26 | 025830 | Rodamiento de bolas Ball bearing Roulement á billes | 1 | | |


TRACTOR TIPO 860 - 860 F - 860 V



|  Dibujo N 5 Design N Dessin N | | TRANSMISIÓN DE TOMA DE FUERZA TRANSMISION OF P.T.O TRANSMISSION DE LA PRISE DE FORCE | | | Pag. 19 |
|---|----------------------|---|----------------------|---|------------|
| Pos. Pos. Pos. | Ref. Ref. Ref. | Denominación Description Designation | Can. Qua. Qua. | Observaciones Remarks Observaciones | |
| 27 | 014840 | Anillo de retención Seal ring Bague de retenue | 1 | | |
| 28 | 808588 | Eje primario TDF Primary shaft Axe primaire | 1 | | |
| 29 | 803597 | Casquillo PCM Brass bush Bague en bronze | 1 | | |
| 30 | 013380 | Anillo seeger Seeger washer Rondelle seeger | 1 | | |
| 31 | 808502 | Engrane TDF Gear Engranage | 1 | | |
| 32 | 808845 | Casquillo GLY Bush Bague | 1 | | |
| 33 | 808542 | Casquillo de conexión desplazable Connector bush Bague connecteur | 1 | | |
| 34 | 808598 | Casquillo estriado TDF Fluted bush Bague strié | 1 | | |
| 35 | 808503 | Engrane TDF Gear Engranage | 1 | | |
| 36 | 808843 | Casquillo GLY Bush Bague | 1 | | |
| 37 | 808556 | Eje de salida TDF Shaft Axe | 1 | | |
| 38 | 807167 | Rodamiento de bolas Ball bearing Roulement à billes | 1 | | |
| 40 | 799070 | Anillo seeger Seeger washer Rondelle seeger | 1 | | |

TRACTOR TIPO 860 - 860 F - 860 V



|  Dibujo N Design N Dessin N | | TRANSMISIÓN DE TOMA DE FUERZA TRANSMISION OF P.T.O TRANSMISSION DE LA PRISE DE FORCE | | | Pag. 20 |
|---|----------------------|---|----------------------|---|------------|
| Pos. Pos. Pos. | Ref. Ref. Ref. | Denominación Description Designation | Can. Qua. Qua. | Observaciones Remarks Observaciones | |
| 41 | 808762 | Tapa trasera Cover Couvercle | 1 | | |
| 42 | 019900 | Retén Seal Bague | 1 | | |
| 43 | 004540 | Espárrago Stud M-8 x 20 Goujon | 6 | | |
| 44 | 012960 | Arandela grower Spring washer A-8 Rondelle grower | 6 | | |
| 45 | 005951 | Tuerca hexagonal Nut M-8 Ecrou | 6 | | |
| | | | | | |
| | | | | | |
| | | | | | |
| | | | | | |
| | | | | | |
| | | | | | |
| | | | | | |
| | | | | | |
| | | | | | |
| | | | | | |

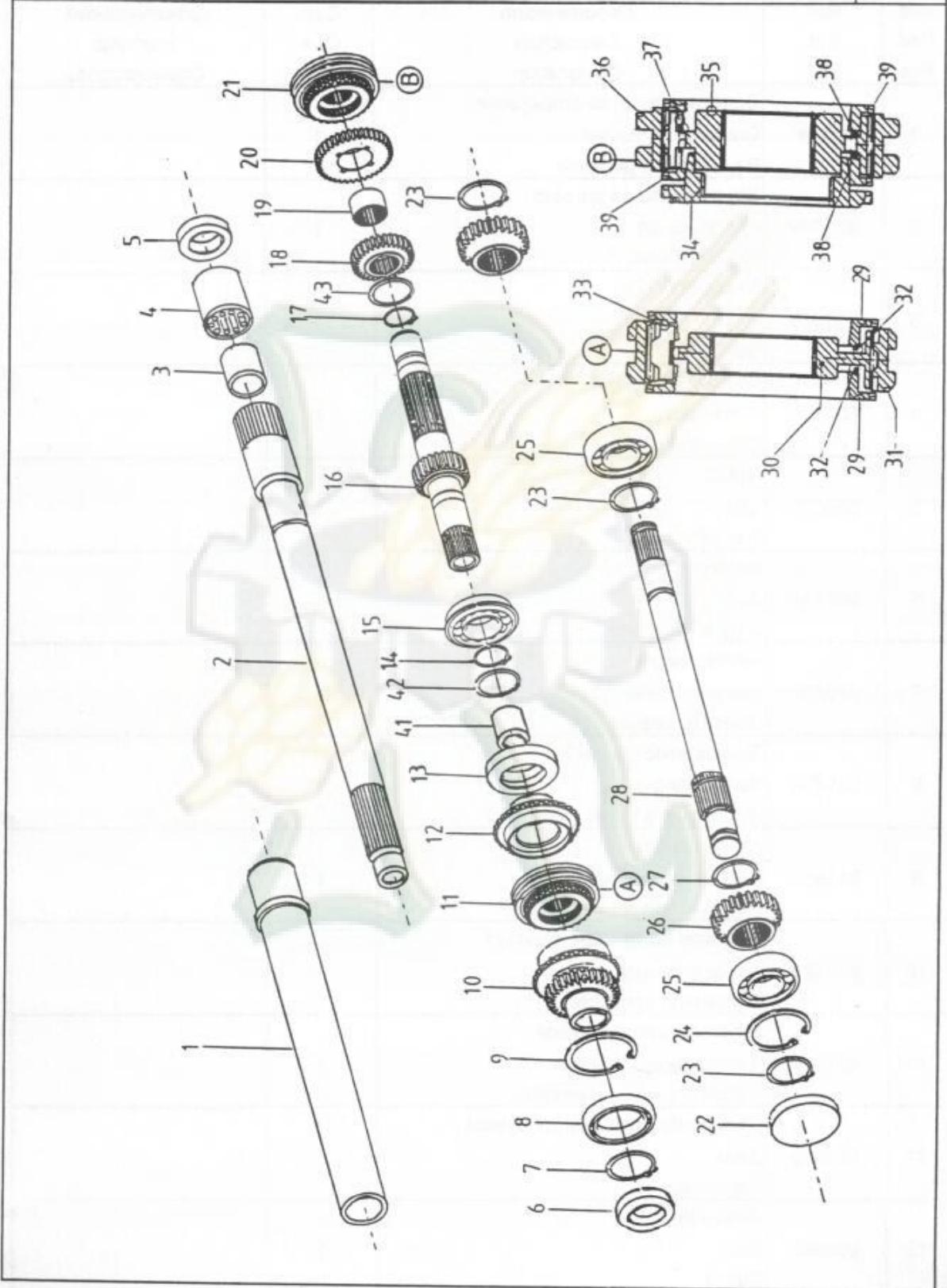


agria

Dibujo N
Design N 6
Dessin N

TRANSMISIÓN DE EJE CONDUCTOR DRIVER SHAFT TRANSMISSION TRANSMISSION DE ARBRE CONDUCTEUR

Pag.
21



TRACTOR TIPO 860 - 860 F - 860 V



| | | |
|--|--|-------------------|
| agria Dibujo N 6 Design N Dessin N | TRANSMISIÓN DE EJE CONDUCTOR DRIVER SHAFT TRANSMISSION TRANSMISSION DE ARBRE CONDUCTEUR | Pag. 22 |
|--|--|-------------------|

| Pos. Pos. Pos. | Ref. Ref. Ref. | Denominación Description Designation | Can. Qua. Qua. | Observaciones Remarks Observaciones |
|----------------------|----------------------|--|----------------------|---|
| 1 | 808591 | Casquillo guía de empujador Guide bush pusher Bague guide poussoir | 1 | |
| 2 | 808589 | Eje primario de cambio Primary shaft Arbre primaire | 1 | |
| 3 | 808566 | Casquillo GLY Bush Bague | 1 | |
| 4 | 807177 | Corona de agujas Roller racer Couronne d'roulett | 1 | |
| 5 | 808835 | Retén Seal Bague | 1 | |
| 6 | 802418 | Retén Seal Bague | 1 | |
| 7 | 013410 | Anillo seeger Seeger washer Rondelle seeger | 1 | |
| 8 | 025730 | Rodamiento de bolas Ball bearing Roulement à billes | 1 | |
| 9 | 013950 | Anillo seeger Seeger washer Rondelle seeger | 1 | |
| 10 | 808521 | Engrane conductor inversor Driver reversing gear Engranage conducteur | 1 | |
| 11 | 808629 | Sincronizador inversor Reversing synchronizer Synchronisateur inverseur | 1 | |
| 12 | 808658 | Corona de transmisión directa Gear Engranage | 1 | |
| 13 | 808590 | Casquillo Bush Bague | 1 | |

TRACTOR TIPO 860 - 860 F - 860 V



|  Dibujo N 6 Design N Dessin N | | TRANSMISIÓN DE EJE CONDUCTOR DRIVER SHAFT TRANSMISSION TRANSMISSION DE ARBRE CONDUCTEUR | | | Pag. 23 |
|---|----------------------|--|----------------------|---|------------|
| Pos. Pos. Pos. | Ref. Ref. Ref. | Denominación Description Designation | Can. Qua. Qua. | Observaciones Remarks Observaciones | |
| 14 | 013380 | Anillo seeger Seeger washer Rondelle seeger | 1 | | |
| 15 | 025720 | Rodamiento de bolas Ball bearing Roulement à billes | 1 | | |
| 16 | 808520 | Eje conductor Driver shaft Arbre conducteur | 1 | | |
| 17 | 013390 | Anillo seeger Seeger washer Rondelle seeger | 1 | | |
| 18 | 808515 | Engrane conductor Driver gear Engranage conducteur | 1 | | |
| 19 | 808585 | Casquillo de bronce Brass bush Bague de bronze | 1 | | |
| 20 | 808512 | Engrane conductor Driver gear Engranage conducteur | 1 | | |
| 21 | 808619 | Sincronizador Ø56 Synchronizer Synchronisateur | 1 | | |
| 22 | 805392 | Tapa de cierre Cover Couvercle | 1 | | |
| 23 | 013300 | Anillo seeger Seeger washer Rondelle seeger | 3 | | |
| 24 | 013820 | Anillo seeger Seeger washer Rondelle seeger | 1 | | |
| 25 | 808836 | Rodamiento de bolas doble Duplex ball bearing Roulement à billes double | 1 | | |
| 26 | 808523 | Engrane conducido inversor Reversing gear Engranage inverseur | 1 | | |

TRACTOR TIPO 860 - 860 F - 860 V



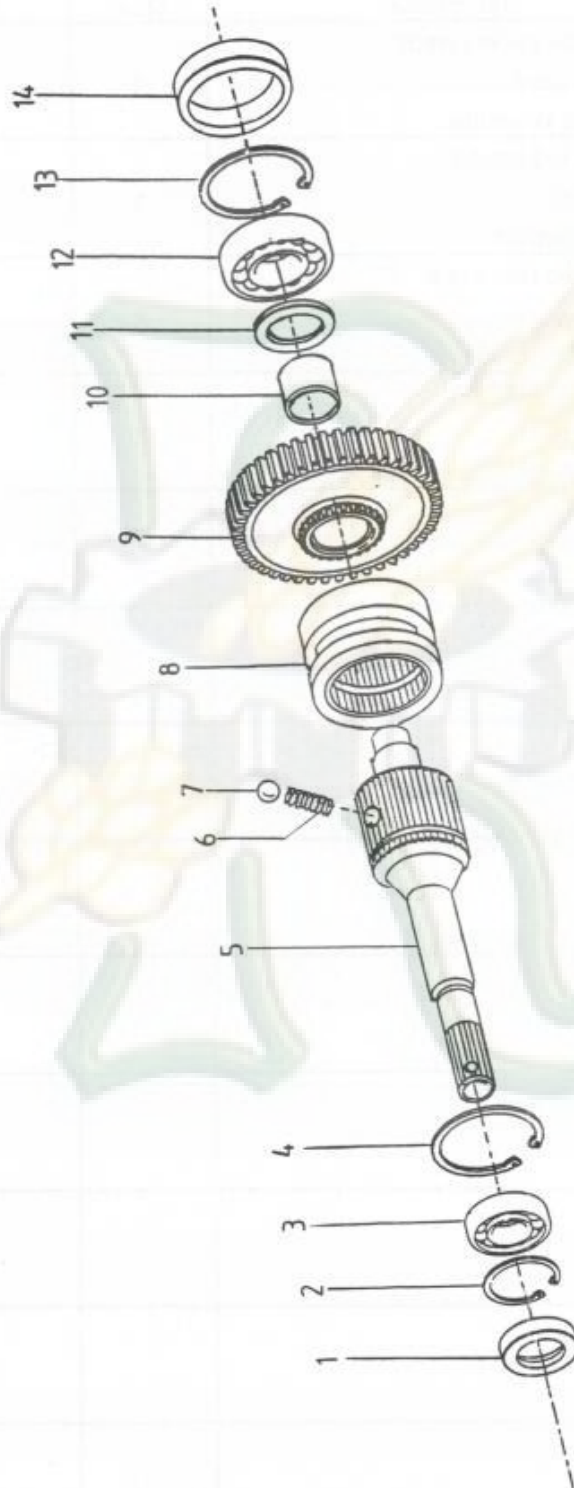
| Dibujo N Design N Dessin N | | TRANSMISIÓN DE EJE CONDUCTOR DRIVER SHAFT TRANSMISSION TRANSMISSION DE ARBRE CONDUCTEUR | | | Pag. 24 |
|----------------------------------|--------|--|------|---------------|------------|
| Pos. | Ref. | Denominación | Can. | Observaciones | |
| Pos. | Ref. | Description | Qua. | Remarks | |
| Pos. | Ref. | Designation | Qua. | Observaciones | |
| 27 | 013340 | Anillo seeger Seeger washer Rondelle seeger | 1 | | |
| 28 | 808586 | Eje inversor Reversing shaft Arbre inverseur | 1 | | |
| 29 | 808632 | Sincronizador 62 Synchronizer Synchonisateur | 2 | | |
| 30 | 808631 | Casquillo central Central bush Bague centrale | 1 | | |
| 31 | 808630 | Casquillo desplazable Displacer bush Bague déplacement | 1 | | |
| 32 | 808634 | Muelle sincronizador Synchronizer spring Ressort synchronisateur | 2 | | |
| 33 | 808633 | Chaveta sincronizador Key Clavette | 1 | | |
| 34 | 808621 | Corona dentada Sprocket gear Couronne dentée | 1 | | |
| 35 | 808623 | Casquillo central Central bush Bague centrale | 1 | | |
| 36 | 808620 | Casquillo desplazable Displacer bush Bague déplacement | 1 | | |
| 37 | 808624 | Chaveta sincronizador Key Clavette | 1 | | |
| 38 | 808625 | Muelle sincronizador Synchronizer spring Ressort synchronisateur | 2 | | |
| 39 | 808622 | Sincronizador Synchronizer Synchonisateur | 2 | | |



agria
Dibujo N
Design N 7
Dessin N

CONJUNTO EJE TRACCIÓN DELANTERO TRACTION SHAFT FRONT ASSEMBLY ENSEMBLE ARBRE TRACTION AVANT

Pag.
26



TRACTOR TIPO 860 - 860 F - 860 V



| agria Dibujo N 7 Design N Dessin N | | CONJUNTO EJE TRACCIÓN DELANTERO TRACTION SHAFT FRONT ASSEMBLY ENSEMBLE ARBRE TRACTION AVANT | | | Pag. 27 |
|--|--------|--|------|---------------|------------|
| Pos. | Ref. | Denominación | Can. | Observaciones | |
| Pos. | Ref. | Description | Qua. | Remarks | |
| Pos. | Ref. | Designation | Qua. | Observaciones | |
| 1 | 019620 | Retén de goma Seal Bague | 1 | | |
| 2 | 013820 | Anillo seeger Seeger washer Bague entretoise | 1 | | |
| 3 | 025650 | Rodamiento de bolas Ball bearing Roulement á billes | 1 | | |
| 4 | 187890 | Anillo seeger Seeger washer Rondelle seeger | 1 | | |
| 5 | 808578 | Eje tracción delantero Traction shaft front Arbre traction avant | 1 | | |
| 6 | 808727 | Muelle de cambio Spring Ressort | 1 | | |
| 7 | 808722 | Bola de cambio Ball Bille | 1 | | |
| 8 | 808587 | Casquillo desplazable Displacer bush Bague déplacement | 1 | | |
| 9 | 808525 | Engrane conducido Gear Engranage | 1 | | |
| 10 | 808845 | Casquillo GLY Bush Bague | 1 | | |
| 11 | 808571 | Arandela de distancia Spacer washer Rondelle entretoise | 1 | | |
| 12 | 025670 | Rodamiento de bolas Ball bearing Roulement á billes | 1 | | |
| 13 | 013850 | Anillo seeger Seeger washer Rondelle seeger | 1 | | |

