

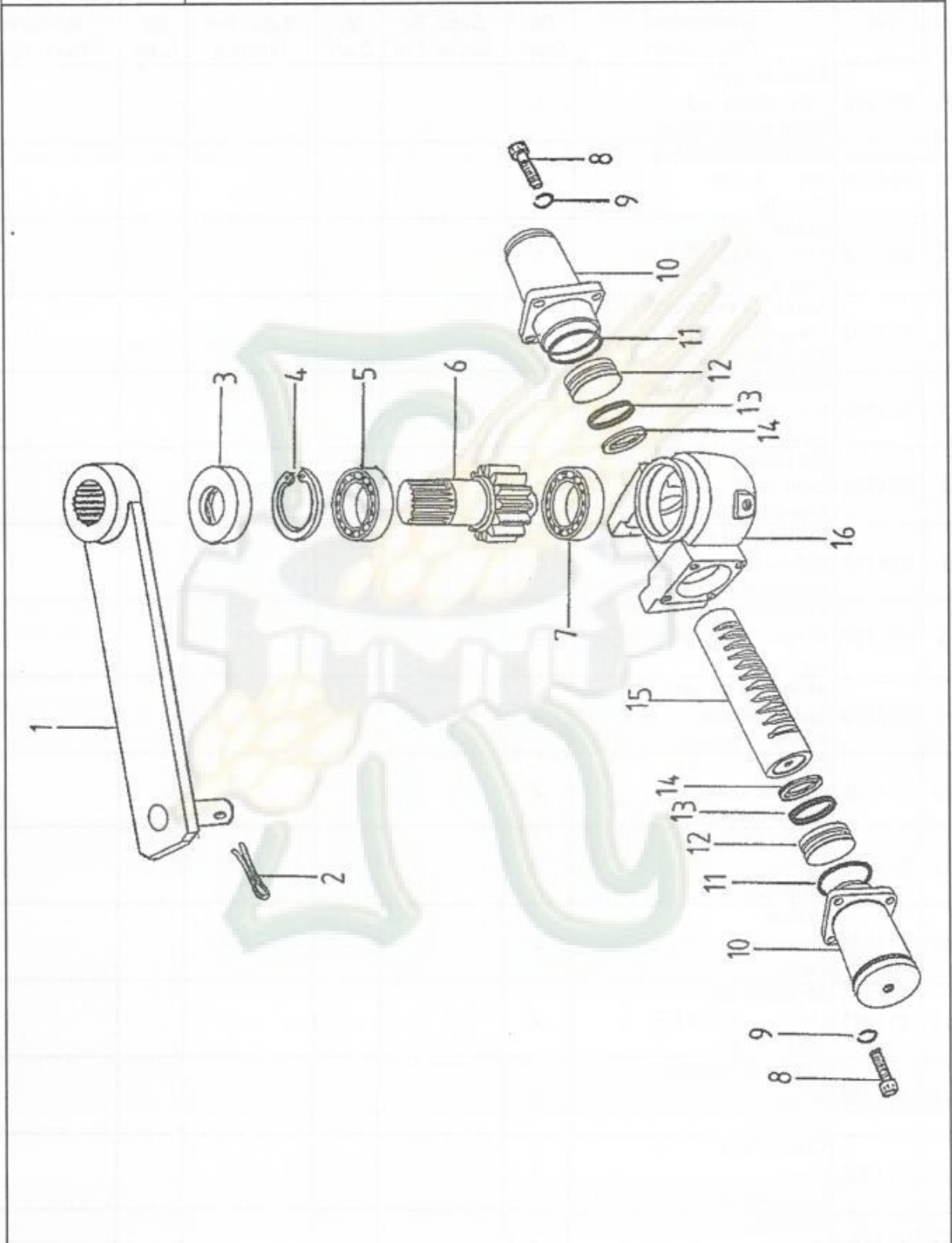
DUMPER DH-15 , DH-160



Dibujo N
Design N **30**
Dessin N

SISTEMA DE GIRO ROTATION SYSTEM SYSTÈME PIVOTANT DH-15 DG/HG

Pag.
113



DUMPER DH-15 , DH-160



Pag.
114

**SISTEMA DE GIRO
ROTATION SYSTEM
SYSTÈME PIVOTANT
DH-15 DG/HG**

Dibujo N **30**
Design N
Dessin N

Pos.	Ref.	Denominación Description Designation	Can. Qty. Quant.	Sustitu. Por Subs. By Susbs. Pat	Can. Qty. Quant.	Sustituye a. Subs. For Susbs.â	Can. Qty. Quant.	Observaciones Remarks Observations
1	811999	Biela de giro Connecting rod Barre de connexion	1					
2	014700	Pasador de aletas Pin 4 x 35 Goupille	1					
3	807182	Retén Seal 45 x 85 x 10 Bague	1					
4	014000	Anillo de retención Seeger washer 85 i x 3 Rondelle seeger	1					
5	025750	Rodamiento de bolas Ball bearing 6209 Roulement a billes	1					
6	811304	Eje piñón Gear shaft Axe engranage	1					
7	025710	Rodamiento de bolas Ball bearing 6206 Roulement a billes	1					
8	807137	Tornillo allen Screw M-10 x 35 Vis	8					
9	012820	Arandela grower Spring washer A-10 Rondelle grower	8					
10	811309	Cuerpo cilindro Cylinder body Corps cylindre	2					
11	811310	Anillo tórico O'ring Joint torique	2					
12	811305	Pistón Piston Piston	2					
13	811311	Anillo tórico O'ring 49'2 x 5'7 Joint torique	2					
14	811312	Anillo de apoyo Ring Anneau	2					
15	811303	Cremallera Rack Crémaillère	1					
16	811302	Carcasa Casing Carcasse	1					

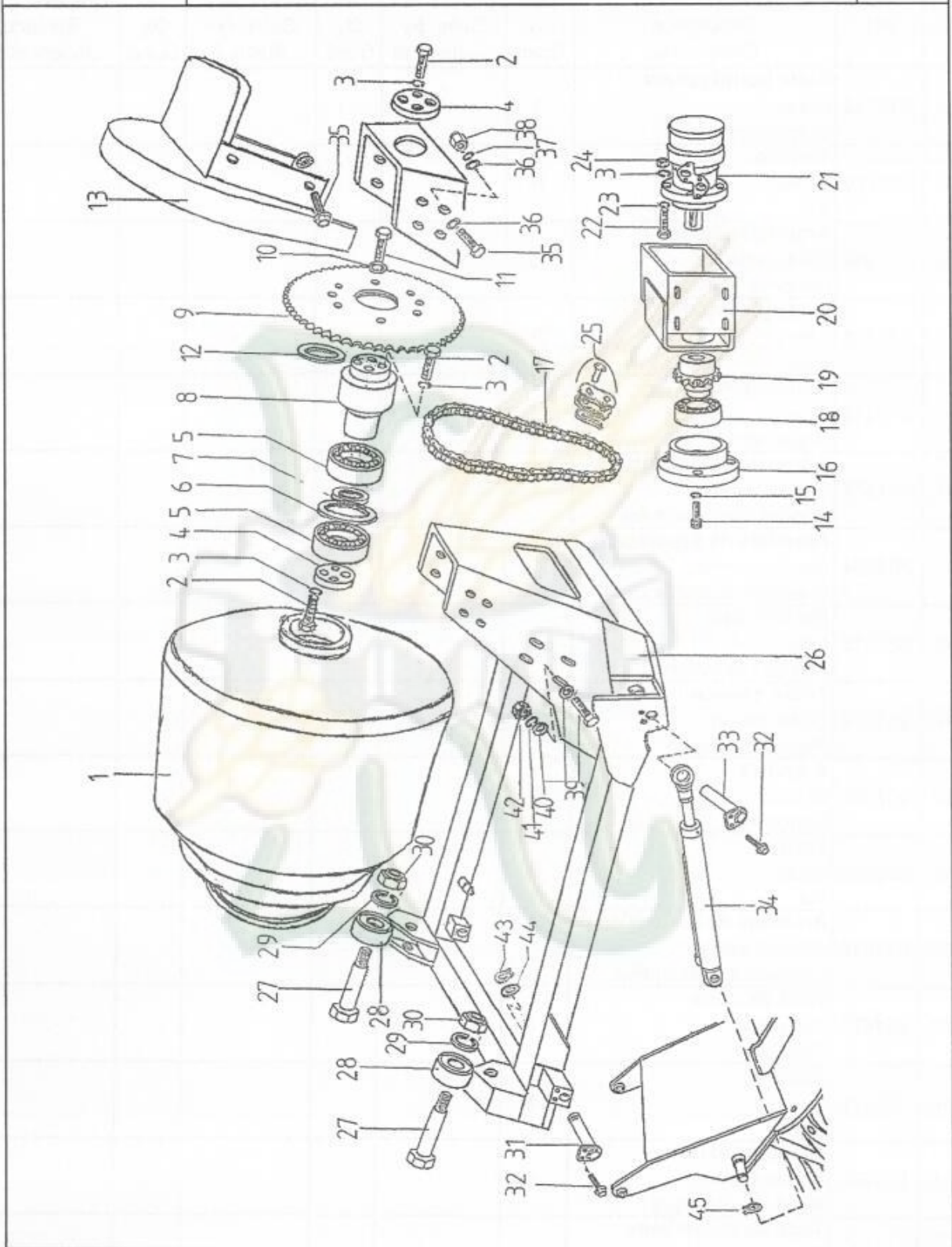
DUMPER DH-15 , DH-160



Dibujo N
Design N 31
Dessin N

CHASIS SUPERIOR Y HORMIGONERA MIXER AND UPPER CHASSIS CHASSIS SUPERIEUR ET BÉTONNIÈRE DH-15 HG

Pag.
115



DUMPER DH-15 , DH-160



**CHASIS SUPERIOR Y HORMIGONERA
MIXER AND UPPER CHASSIS
CHASSIS SUPERIEUR ET BÈTONNIÈRE
DH-15 HG**

Pag.
116

Dibujo N **31**
Design N
Dessin N

Pos.	Ref.	Denominación Description Designation	Can. Qty. Quant.	Sustitu. Por Subs. By Susbs. Pat	Can. Qty. Quant.	Sustituye a. Subs. For Susbs.â	Can. Qty. Quant.	Observaciones Remarks Observations
1	880713	Cuba hormigonera Mixer Bètonnière	1					
2	001170	Tornillo Screw Vis	8					
3	012980	Arandela elástica Spring washer Rondelle elastique	12					
4	851878	Brida de amarre Clamp Bride	2					
5	811816	Rodamiento Bearing Roulement	2					
6	851877	Arandela de distancia Spacer washer Rondelle de entretoise	1					
7	808894	Arandela de separación Spacer washer Rondelle de entretoise	1					
8	851876	Eje de cuba Mixer shaft Axe de nètonnière	1					
9	851879	Piñón cadena Chain pinion Pignon de chaine	1					
10	007880	Arandela Washer Rondelle	6					
11	002000	Tornillo Screw Vis	6					
12	811814	Arandela de distancia Spacer washer Rondelle de entretoise	1					
13	851873	Tapa de cuba Protector Protecteur	1					
14	002170	Tornillo Screw Vis	4					
15	012960	Arandela elástica Spring washer Rondelle elastique	4					
16	808420	Tapa de rodamiento Cover Couvercle	1					

DUMPER DH-15 , DH-160



Dibujo N **31**
Design N
Dessin N

**CHASIS SUPERIOR Y HORMIGONERA
MIXER AND UPPER CHASSIS
CHASSIS SUPERIEUR ET BÊTONNIÈRE
DH-15 HG**

Pag.
117

Pos.	Ref.	Denominación Description Designation	Can. Qty. Quant.	Sustitu. Por Subs. By Susbs. Pat	Can. Qty. Quant.	Sustituye a. Subs. For Susbs.â	Can. Qty. Quant.	Observaciones Remarks Observations
17	808800	Cadena Chain Chaîne	1					
18	808421	Rodamiento Bearing Roulement	1					
19	808419	Piñón cadena Chain pinion Pignon de chaîne	1					
20	808418	Caja de motor Casing Carter	1					
21	808335	Motor Engine Moteur	1					
22	000090	Tornillo Screw Vis	4					
23	007850	Arandela Washer Rondelle	4					
24	005980	Tuerca Nut Ecrou	4					
25	809303	Eslabón de cierre Coupling link Maillon de liaison	1					
26	880704	Chasis de hormigonera Mixer chassis Chassis de bétonnière	1					
27	808425	Bulón de rodillo Pin Boulon	2					
28	808422	Rodillo Roller Rouleau	2					
29	007870	Arandela elástica Spring washer Rondelle elastique	2					
30	806289	Tuerca Nut Ecrou	2					
31	880705	Bulón Pin Boulon	2					
32	874602	Tornillo Screw Vis	14					

DUMPER DH-15 , DH-160



**CHASIS SUPERIOR Y HORMIGONERA
MIXER AND UPPER CHASSIS
CHASSIS SUPERIEUR ET BÈTONNIÈRE
DH-15 HG**

Pag.
118

Dibujo N **31**
Design N
Dessin N

Pos.	Ref.	Denominación Description Designation	Can. Qty. Quant.	Sustitu. Por Subs. By Susbs. Pat	Can. Qty. Quant.	Sustituye a. Subs. For Susbs.à	Can. Qty. Quant.	Observaciones Remarks Observations
33	880590	Bulón Pin Boulon	2					
34	812739	Cilindro de volteo Cylinder Cylindre	2					
35	001000	Tornillo Screw Vis	12					
36	007850	Arandela Washer Rondelle	12					
37	012980	Arandela elástica Spring washer Rondelle elastique	12					
38	005980	Tuerca Nut Ecrou	12					
39	000230	Tornillo Screw Vis	4					
40	007840	Arandela Washer Rondelle	8					
41	012970	Arandela elástica Spring washer Rondelle elastique	6					
42	005970	Tuerca Nut Ecrou	6					
43	013380	Anillo seeger Seeger ring Bague de retenue	2					
44	165990	Arandela Washer Rondelle	2					
45	013380	Anillo seeger Seeger ring Bague de retenue	2					

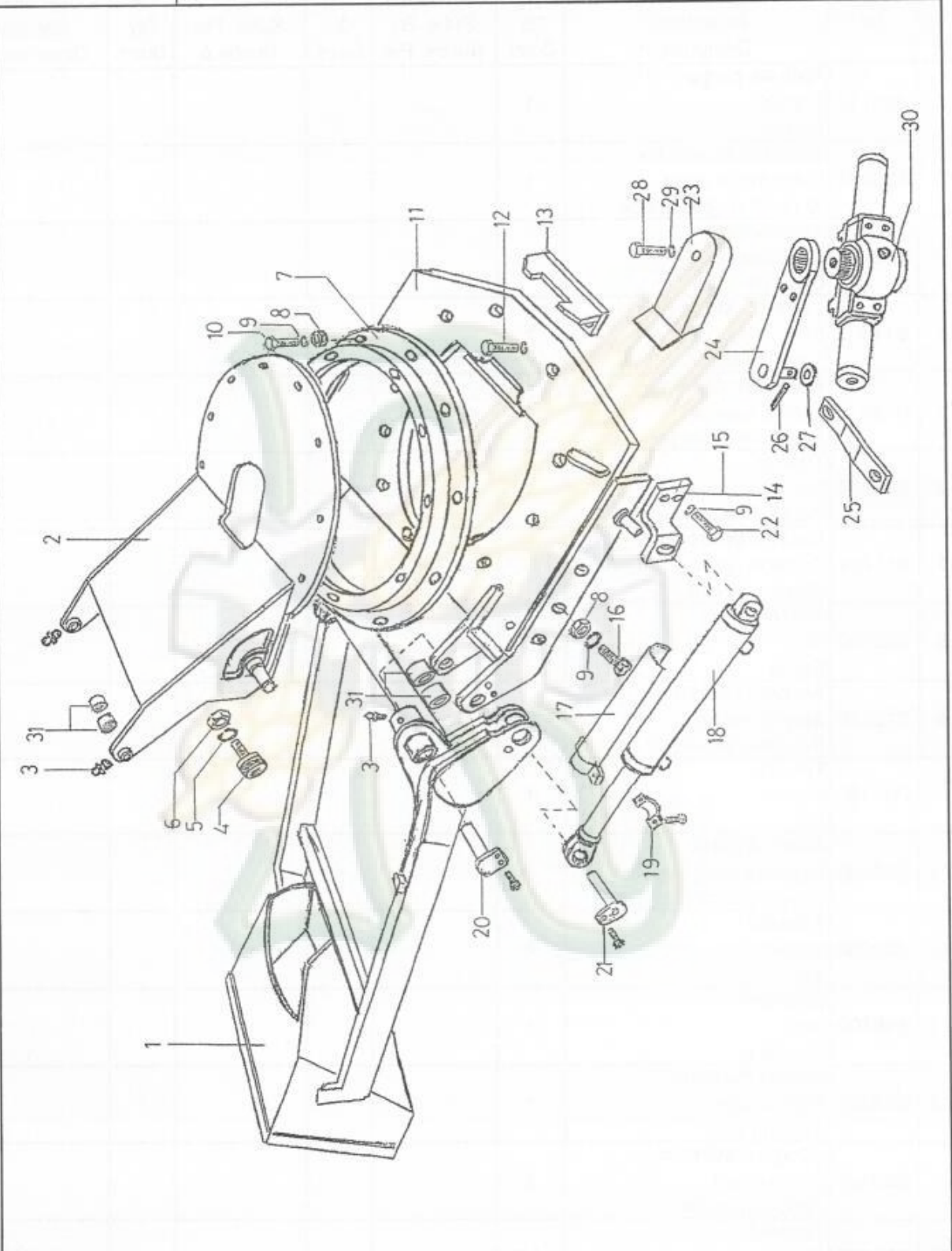
DUMPER DH-15 , DH-160



Dibujo N
Design N 32
Dessin N

CHASIS GIRATORIO Y PALA GYRATORY CHASSIS AND SHOVEL CHASSIS PIVOTANT È BONNE DH-15 HG

Pag.
119



DUMPER DH-15 , DH-160



**CHASIS GIRATORIO Y PALA
GYRATORY CHASSIS AND SHOVEL
CHASSIS PIVOTANT È BONNE
DH-15 HG**

Pag.
120

Dibujo N **32**
Design N
Dessin N

Pos.	Ref.	Denominación Description Designation	Can. Qty. Quant.	Sustitu. Por Subs. By Susbs. Pat	Can. Qty. Quant.	Sustituye a. Subs. For Susbs.à	Can. Qty. Quant.	Observaciones Remarks Observations
1	880712	Pala de carga Shovel Benne	1					
2	880871	Soporte de vuelco Dumping support Support de basculage	1					
3	263900	Engrasador Lubricator Graisseur	4					
4	811503	Tope de goma Shock absorber Amortisseur	2					
5	012970	Arandela elástica Spring washer Rondelle elastique	1					
6	005970	Tuerca Nut Ecrou	1					
7	811704	Cuerpo giratorio Gyratory body Corps pivotant	1					
8	005980	Tuerca Nut Ecrou	23					
9	012980	Arandela elástica Spring washer Rondelle elastique	23					
10	001460	Tornillo Screw Vis	4					
11	880703	Base soporte Gyratory body support Support de corps	1					
12	000090	Tornillo Screw Vis	4					
13	880700	Resbalón Skid Glissière	1					
14	880888	Apoyo derecho Right support Support droit	1					
15	880889	Apoyo izquierdo Left support Support gauche	1					
16	001070	Tornillo Screw Vis	10					

DUMPER DH-15 , DH-160



Dibujo N **32**
Design N
Dessin N

**CHASIS GIRATORIO Y PALA
GYRATORY CHASSIS AND SHOVEL
CHASSIS PIVOTANT È BONNE
DH-15 HG**

Pag.
121

Pos.	Ref.	Denominación Description Designation	Can. Qty. Quant.	Sustitu. Por Subs. By Susbs. Pat	Can. Qty. Quant.	Sustituye a. Subs. For Susbs.â	Can. Qty. Quant.	Observaciones Remarks Observations
17	880890	Protector de vástago Protector Protecteur	2					
18	813106	Cilindro de cuchara Cylinder Cylindre	2					
19	813079	Abarcón Clamp Bride	2					
20	880585	Bulón de giro Pin Boulon	2					
21	880632	Bulón de giro Pin Boulon	2					
22	001460	Tornillo Screw Vis	4					
23	880872	Protector de biela Protector Protecteur	1					
24	811999	Biela Connecting rod Barre de connexion	1					
25	851734	Tirante Tie rod Tirant	1					
26	014700	Pasador de aletas Pin Goupille	2					
27	007890	Arandela Washer Rondelle	2					
28	001090	Tornillo Screw Vis	1					
29	012960	Arandela elástica Spring washer Rondelle elastique	2					
30	745001	Conjunto oscilante Oscillator Oscillateur	1					
31	851578	Casquillo Bush Bague	8					

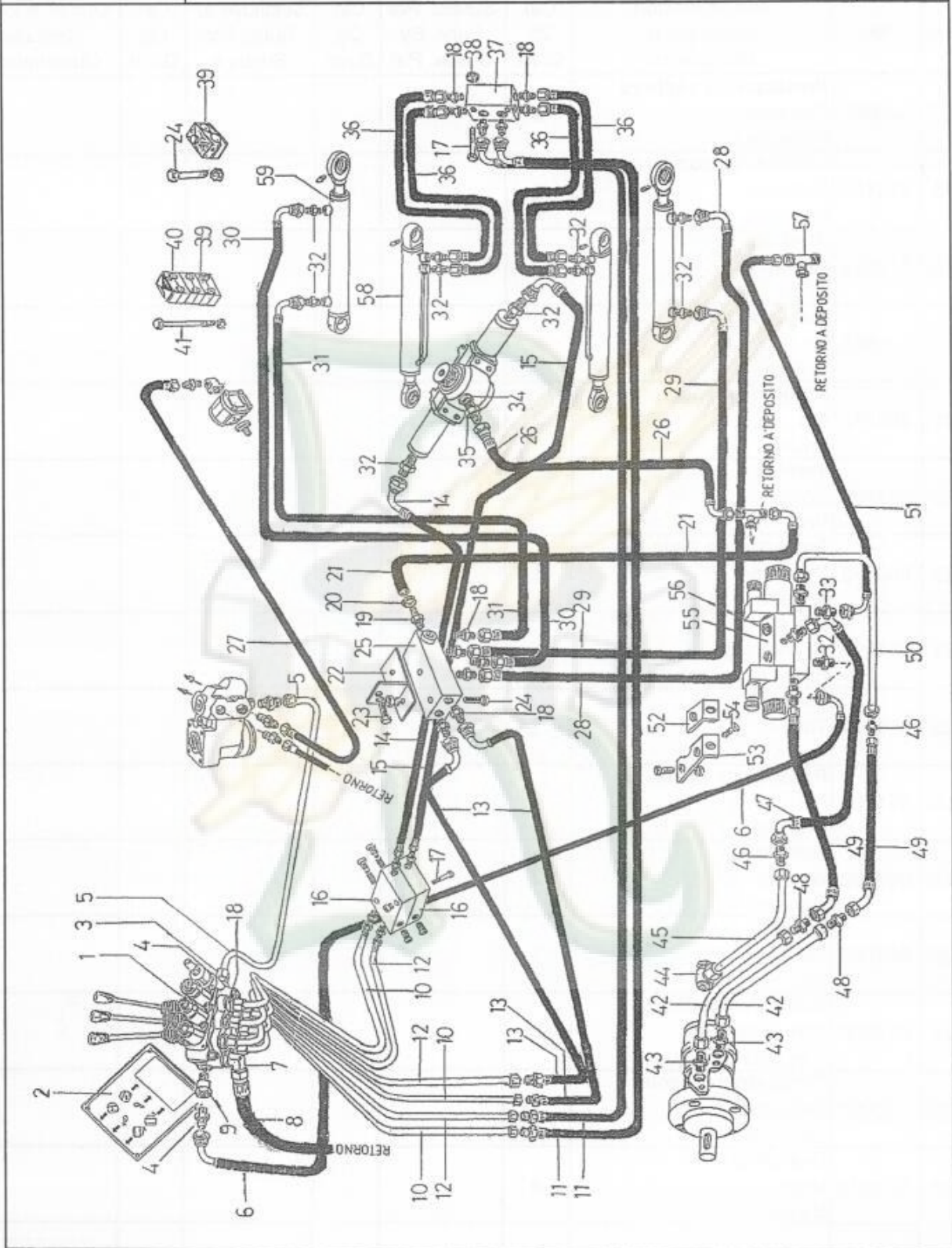
DUMPER DH-15 , DH-160



Dibujo N
Design N 33
Dessin N

CIRCUITO HIDRÁULICO HYDRAULIC SYSTEM SYSTÈME HYDRAULIQUE DH-15 HG

Pag.
122



DUMPER DH-15 , DH-160



Dibujo N **33**
Design N
Dessin N

CIRCUITO HIDRÁULICO
HYDRAULIC SYSTEM
SYSTÈME HYDRAULIQUE
DH-15 HG

Pag.
123

Pos.	Ref.	Denominación Description Designation	Can. Qty. Quant.	Sustitu. Por Subs. By Susbs. Pat	Can. Qty. Quant.	Sustituye a. Subs. For Susbs.â	Can. Qty. Quant.	Observaciones Remarks Observations
1	811943	Distribuidor Manifold valve Distributeur	1					
2	812094	Placa de mandos Operation plate Tableau de comm.	1					
3	877002	Racor de unión Connection Raccord	4					
4	775520	Arandela junta Joint washer Rondelle grower	1					
5	851806	Tubo metálico Pipe Tuyau	1					
6	851912	Tubo a electroválvula Hose Tuyau	1					
7	877501	Racor orientable Connection Raccord	1					
8	852174	Tubo de retorno Hose Tuyau	1					
9	805761	Racor de unión Connection Raccord	1					
10	851670	Tubo de volteo Pipe Tuyau	3					
11	851756	Tubo de volteo Hose Tuyau	2					
12	851671	Tubo de volteo Pipe Tuyau	3					
13	852007	Tubo de placa a cilindro Hose Tuyau	2					
14	851758	Tubo corto Hose Tuyau	1					
15	851759	Tubo largo Hose Tuyau	1					
16	880821	Válvula de frenado Brake valve Clapet de frein	2					

DUMPER DH-15 , DH-160



**CIRCUITO HIDRÁULICO
HYDRAULIC SYSTEM
SYSTÈME HYDRAULIQUE
DH-15 HG**

Pag.
124

Dibujo N **33**
Design N
Dessin N

Pos.	Ref.	Denominación Description Designation	Can. Qty. Quant.	Sustitu. Por Subs. By Susbs. Pat	Can. Qty. Quant.	Sustituye a. Subs. For Susbs.â	Can. Qty. Quant.	Observaciones Remarks Observations
17	000410	Tornillo Screw M-8 x 60 Vis	7					
18	877011	Racor de unión Connection Raccord	18					
19	878905	Racor a manguera Connection Raccord	1					
20	811348	Abrazadera Clamp Bride	1					
21	852274	Tubo de retorno Hose Tuyau	1					
22	880823	Soporte taco distribuidor Square support Support de carre	1					
23	001160	Tornillo Screw M-10 x 35 Vis	1					
24	000680	Tornillo Screw M-8 x 50 Vis	3					
25	880912	Taco distribuidor Square Carre	1					
26	851847	Tubo de retorno Hose Tuyau	1					
27	851510	Tubo a bomba Hose Tuyau	1					
28	852009	Tubo a cilindro Hose Tuyau	1					
29	852008	Tubo a cilindro Hose Tuyau	1					
30	851710	Tubo a cilindro Hose Tuyau	1					
31	851709	Tubo a cilindro Hose Tuyau	1					
32	877012	Racor de unión Connection Raccord	17					

DUMPER DH-15 , DH-160



Dibujo N **33**
Design N
Dessin N

CIRCUITO HIDRÁULICO
HYDRAULIC SYSTEM
SYSTÈME HYDRAULIQUE
DH-15 HG

Pag.
125

Pos.	Ref.	Denominación Description Designation	Can. Qty. Quant.	Sustitu. Por Subs. By Susbs. Pat	Can. Qty. Quant.	Sustituye a. Subs. For Susbs.â	Can. Qty. Quant.	Observaciones Remarks Observations
33	877502	Racor de unión Connection Raccord	1					
34	789450	Arandela junta Joint washer Rondelle grower	1					
35	878015	Racor de unión Connection Raccord	1					
36	852554	Tubo a cilindro Hose Tuyau	4					
37	806810	Taco de derivación Square Carre	1					
38	005951	Tuerca Nut M-8 Ecrou	12					
39	872004	Brida doble Flange Ø18 Brida	3					
40	872001	Brida doble Flange Ø18 Brida	1					
41	000730	Tornillo Screw M-8 x 110 Vis	1					
42	851906	Tubo metálico Pipe Tuyau	2					
43	877003	Racor de unión Connection Raccord	2					
44	877023	Racor orientable Connection Raccord	1					
45	852212	Tubo de drenaje Pipe Tuyau	1					
46	877021	Racor de unión Connection Raccord	2					
47	851904	Tubo de drenaje Pipe Tuyau	1					
48	877025	Racor de unión Connection Raccord	2					

DUMPER DH-15 , DH-160



**CIRCUITO HIDRÁULICO
HYDRAULIC SYSTEM
SYSTÈME HYDRAULIQUE
DH-15 HG**

Pag.
126

Dibujo N **33**
Design N
Dessin N

Pos.	Ref.	Denominación Description Designation	Can. Qty. Quant.	Sustitu. Por Subs. By Susbs. Pat	Can. Qty. Quant.	Sustituye a. Subs. For Susbs.â	Can. Qty. Quant.	Observaciones Remarks Observations
49	851903	Tubo a motor Hose Tuyau	2					
50	851913	Tubo a electroválvula Pipe Tuyau	1					
51	851905	Tubo de retorno Hose Tuyau	1					
52	851901	SopORTE corto Support Support	1					
53	851902	SopORTE largo Support Support	1					
54	001100	Tornillo Screw M-8 x 25 Vis	2					
55	880938	Electroválvula Electrovalve Electrovalve	1					
56	878701	Tapón Plug 1/4" Bouchon	3					
57	877024	Racor en "T" Connection Raccord	1					
58	812739	Cilindro de volteo Hopper cylinder Cylindre de tremie	2					
59	813106	Cilindro de elevación Elevation cylinder Cylindre d'élevation	2					

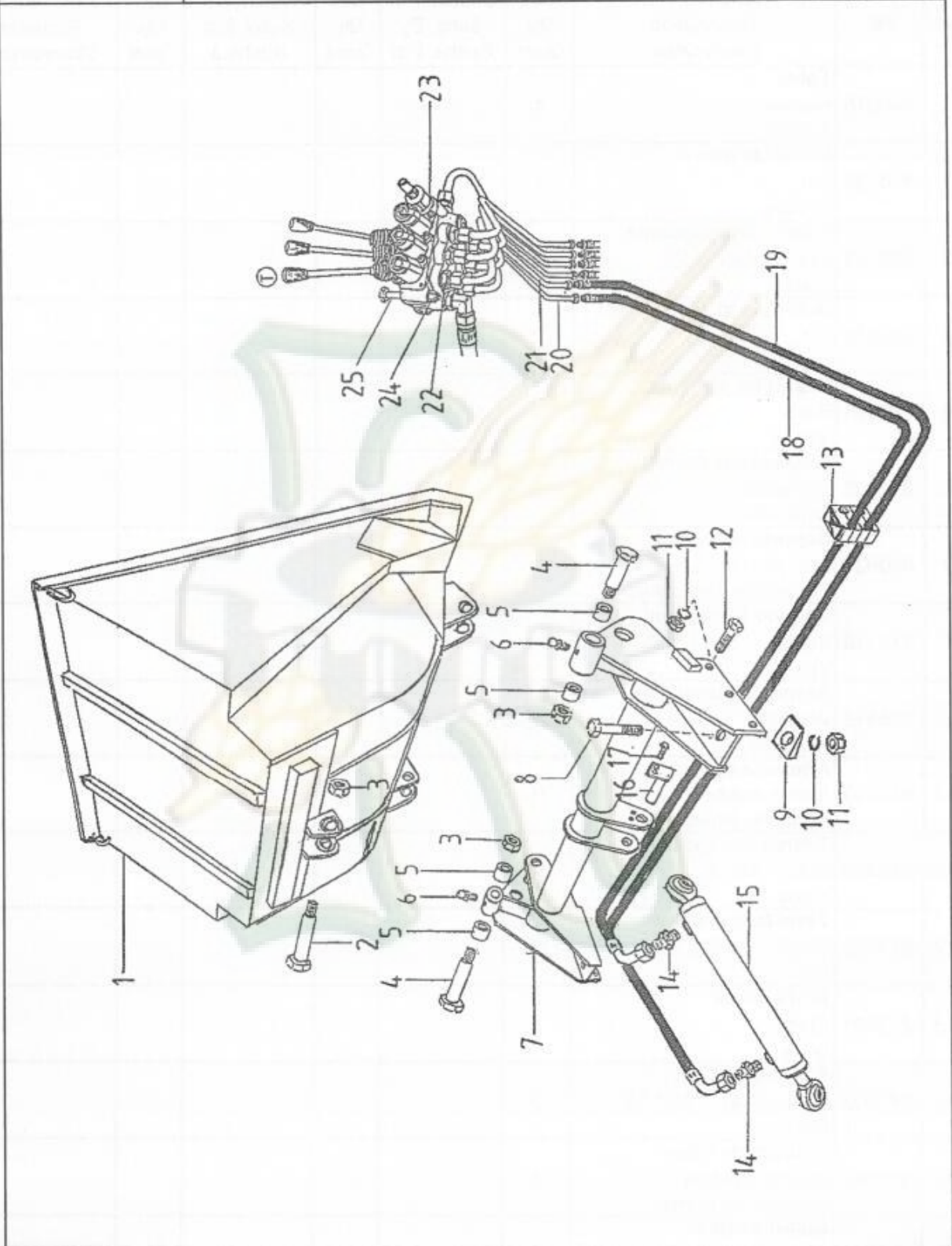
DUMPER DH-15 , DH-160



Dibujo N
Design N 34
Dessin N

SOPORTE DE VUELCO DUMPLING SUPPORT SUPPORT DE BASCULAGE DH-15-P

Pag.
127



DUMPER DH-15 , DH-160



Dibujo N 34 Design N Dessin N		SOPORTE DE VUELCO DUMPLING SUPPORT SUPPORT DE BASCULAGE DH-15-P							Pag. 128
Pos.	Ref.	Denominación Description Designation	Can. Qty. Quant.	Sustitu. Por Subs. By Susbs. Pat	Can. Qty. Quant.	Sustituye a. Subs. For Susbs.â	Can. Qty. Quant.	Observaciones Remarks Observations	
1	809015	Tolva Hooper Trémie	1						
2	806636	Bulón de giro Pin Boulon	1						
3	806793	Tuerca autoblocante Nut M-22 x 1'5 Ecrou	3						
4	806636	Bulón de giro Pin Boulon	2						
5	802125	Casquillo de giro Bush Bague	4						
6	871600	Engrasador recto Lubricator Lubricateur	2						
7	880627	SopORTE de vuelco Dumpling support Support de basculage	1						
8	874218	Tornillo hexagonal Screw M-12 x 35 Vis	4						
9	876512	Arandela cuadrada Washer Ø 12'4 i Rondelle	4						
10	876053	Arandela grower Spring washer A-12 Rondelle grower	10						
11	875005	Tuerca hexagonal Nut M-12 Ecrou	10						
12	874223	Tornillo hexagonal Screw M-12 x 20 Vis	6						
13	872001	Brida doble Clamp Bride	1						
14	877002	Racor de unión Connection 3/8"-12 Raccord	2						
15	811940	Cilindro de tolva Hopper cylinder Cylindre de tremie	1						
16	880586	Bulón de giro Pin Boulon	1						

DUMPER DH-15 , DH-160



Dibujo N **34**
Design N
Dessin N

**SOPORTE DE VUELCO
DUMPLING SUPPORT
SUPPORT DE BASCULAGE
DH-15-P**

Pag.
129

Pos.	Ref.	Denominación Description Designation	Can. Qty. Quant.	Sustitu. Por Subs. By Susbs. Pat	Can. Qty. Quant.	Sustituye a. Subs. For Susbs.â	Can. Qty. Quant.	Observaciones Remarks Observations
17	874601	Tornillo hexagonal Screw M-8 x 16 Vis	2					
18	851682	Tubo hidr. cilindro a distrib. Pipe Tuyau	1					
19	851681	Tubo hidr. cilindro a distrib. Pipe Tuyau	1					
20	851671	Tubo metálico cil. a distrib. Pipe Tuyau	1					
21	851670	Tubo metálico cil. a distrib. Pipe Tuyau	1					
22	877011	Racor de unión Connection 10-3/8" Raccord	6					
23	811943	Distribuidor hidráulico Hydraulic valve Distributeur hydraulique	1					
24	875000	Tuerca Nut M-8 Ecrou	4					
25	874009	Tornillo hexagonal Screw M-8 x 60 Vis	4					

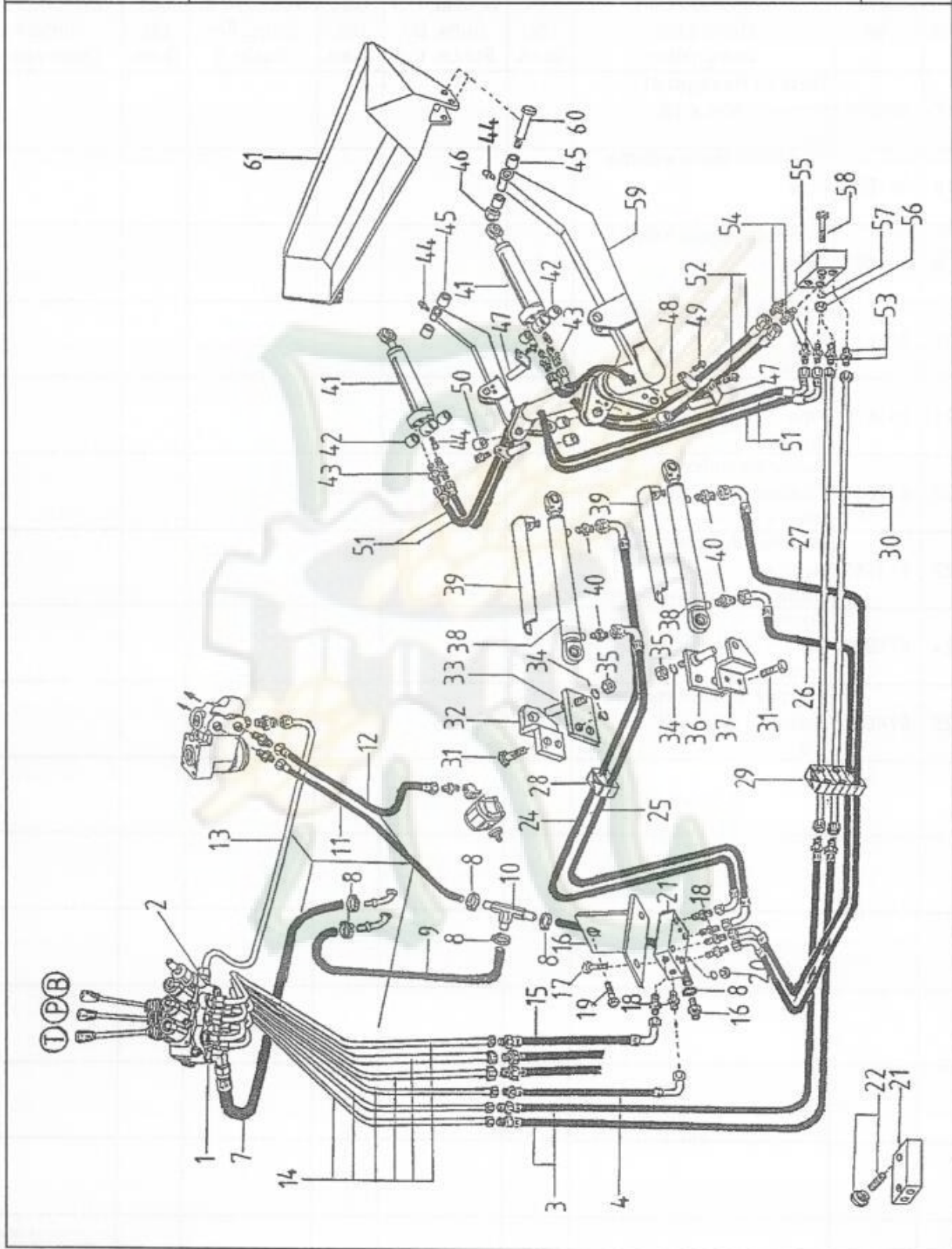
DUMPER DH-15 , DH-160



Dibujo N
Design N 35
Dessin N

SISTEMA HIDRÁULICO DE PALA SHOVEL (HYDRAULIC SYSTEM) SYSTÈME HYDRAULIQUE DE BENNE DH-15-P

Pag.
130



DUMPER DH-15 , DH-160



Dibujo N **35**
Design N
Dessin N

**SISTEMA HIDRÁULICO DE PALA
SHOVEL (HYDRAULIC SYSTEM)
SYSTÈME HYDRAULIQUE DE BENNE
DH-15-P**

Pag.
131

Pos.	Ref.	Denominación Description Designation	Can. Qty. Quant.	Sustitu. Por Subs. By Susbs. Pat	Can. Qty. Quant.	Sustituye a. Subs. For Susbs.â	Can. Qty. Quant.	Observaciones Remarks Observations
1	877501	Codo orientable Connection 3/8" GAS 3/4" JIC Raccord	1					
2	877002	Racor de unión Connection 12-3/8" Raccord	1					
3	852010	Tubo hidr. distrib. a taco Pipe Tuyau	2					
4	852007	Tubo hidr. dist. a bomba Pipe Tuyau	1					
5								
6								
7	851846	Tubo de retorno a depósito Pipe Tuyau	1					
8	872206	Abrazadera Clamp 12-22 Bride	6					
9	852014	Tubo retorno "T" a depósito Pipe Tuyau	1					
10	879904	Racor "T" Connection Raccord	1					
11	852014	Tubo retorno "T" a depósito Pipe Tuyau	1					
12	851510	Tubo hidr. bomba a orbitrol Pipe Tuyau	1					
13	851806	Tubo met. dist. a orbitrol Pipe Tuyau	1					
14	851670 851671	Tubo met. salida a distr. Pipe Tuyau	6					
15	852007	Tubo hidr. distrib. a taco Pipe Tuyau	1					
16	880823	Soporte taco distribuidor Square support Support de carre	1					

DUMPER DH-15 , DH-160



**SISTEMA HIDRÁULICO DE PALA
SHOVEL (HYDRAULIC SYSTEM)
SYSTÈME HYDRAULIQUE DE BENNE
DH-15-P**

Pag.
132

Dibujo N **35**
Design N
Dessin N

Pos.	Ref.	Denominación Description Designation	Can. Qty. Quant.	Sustitu. Por Subs. By Susbs. Pat	Can. Qty. Quant.	Sustituye a. Subs. For Susbs.â	Can. Qty. Quant.	Observaciones Remarks Observations
17	000660	Tornillo hexagonal Screw M-8 x 45 Vis	2					
18	877011	Racor de unión Connection 3/8"-10 Raccord	6					
19	001100	Tornillo hexagonal Screw M-8 x 25 Vis	1					
20	005951	Tuerca hexagonal Nut M-8 Ecrou	2					
21	880912	Taco distribuidor Square Carre	1					
22	811592	Válvula de tara Governing valve Soupape regulatrice	1					
23								
24	852008	Tubo largo taco a cil. izdo. Pipe Tuyau	1					
25	852009	Tubo corto taco a cil. izdo. Pipe Tuyau	1					
26	851709	Tubo corto taco a cil. dcho. Pipe Tuyau	1					
27	851710	Tubo largo taco a cil. dcho. Pipe Tuyau	1					
28	872002	Brida Clamp Bride	1					
29	872004	Brida Clamp Bride	1					
30	852011	Tubo metálico distr. a taco Pipe Tuyau	2					
31	000660	Tornillo hexagonal Screw M-12 x 45 Vis	6					
32	880902	Soporte de cilindro izdo. Cylinder support left Support de cylindre gauche	1					

DUMPER DH-15 , DH-160



Dibujo N **35**
Design N
Dessin N

**SISTEMA HIDRÁULICO DE PALA
SHOVEL (HYDRAULIC SYSTEM)
SYSTÈME HYDRAULIQUE DE BENNE
DH-15-P**

Pag.
133

Pos.	Ref.	Denominación Description Designation	Can. Qty. Quant.	Sustitu. Por Subs. By Susbs. Pat	Can. Qty. Quant.	Sustituye a. Subs. For Susbs.â	Can. Qty. Quant.	Observaciones Remarks Observations
33	880889	Eje soporte cilindro izdo. Cylinder support - shaft left Axe support cylindre gauche	1					
34	012980	Arandela grower Spring washer A-12 Rondelle grower	6					
35	005980	Tuerca hexagonal Nut M-12 Ecrou	6					
36	880901	Eje soporte cilindro dcho. Cylinder support shaft right Support de cylindre droit	1					
37	880888	Soporte de cilindro dcho. Cylinder support right Support de cylindre droit	1					
38	880631	Cilindro de brazo Arm cylinder Cylindre de bras	2					
39	880890	Protector de cilindro Cylinder protector Protector de cylindre	2					
40	877012	Racor de unión Connection 1/4"-10 Raccord	4					
41	880629	Cilindro de pala Shovel cilinder Cylindre de benne	2					
42	851668	Casquillo de giro Bush Bague	4					
43	877011	Racor de unión Connection 3/8"-10 Raccord	4					
44	871600	Engrasador recto Lubricator Graisseur	6					
45	806709	Casquillo Bush Bague	4					
46	806793	Tuerca autoblocante Nut M-22 x 1'5 Ecrou	4					
47	880630	Bulón de giro Pin Boulon	4					
48	880632	Bulón de giro Pin Boulon	2					

DUMPER DH-15 , DH-160



Dibujo N 35 Design N Dessin N		SISTEMA HIDRÁULICO DE PALA SHOVEL (HYDRAULIC SYSTEM) SYSTÈME HYDRAULIQUE DE BENNE DH-15-P						Pag. 134
Pos.	Ref.	Denominación Description Designation	Can. Qty. Quant.	Sustitu. Por Subs. By Susbs. Pat	Can. Qty. Quant.	Sustituye a. Subs. For Susbs.â	Can. Qty. Quant.	Observaciones Remarks Observations
49	874601	Tornillo hexagonal Screw M-8 x 16 Vis	10					
50	806709	Casquillo de giro Bush Bague	6					
51	852013	Tubo cil. izquierdo a taco Pipe Tuyau	2					
52	852012	Tubo cil. derecho a taco Pipe Tuyau	2					
53	877011	Racor de unión Connection 3/8"-10 Raccord	2					
54	877012	Racor de unión Connection 1/4" Raccord	4					
55	811176	Taco de derivación Square Carre	1					
56	875000	Tuerca hexagonal Nut M-8 Ecrou	2					
57	005951	Arandela grower Spring washer A-8 Rondelle grower	2					
58	000590	Tornillo hexagonal Screw M-8 x 45 Vis	2					
59	880628	Brazos de pala Shovel arm Bras de benne	1					
60	806711	Bulón de giro Pin Boulon	2					
61	806819	Pala de carga Shovel Bénne	1					

DUMPER DH-15 , DH-160



Dibujo N
Design N 36
Dessin N

RUEDAS
WHEELS
ROUES

Pag.
135

