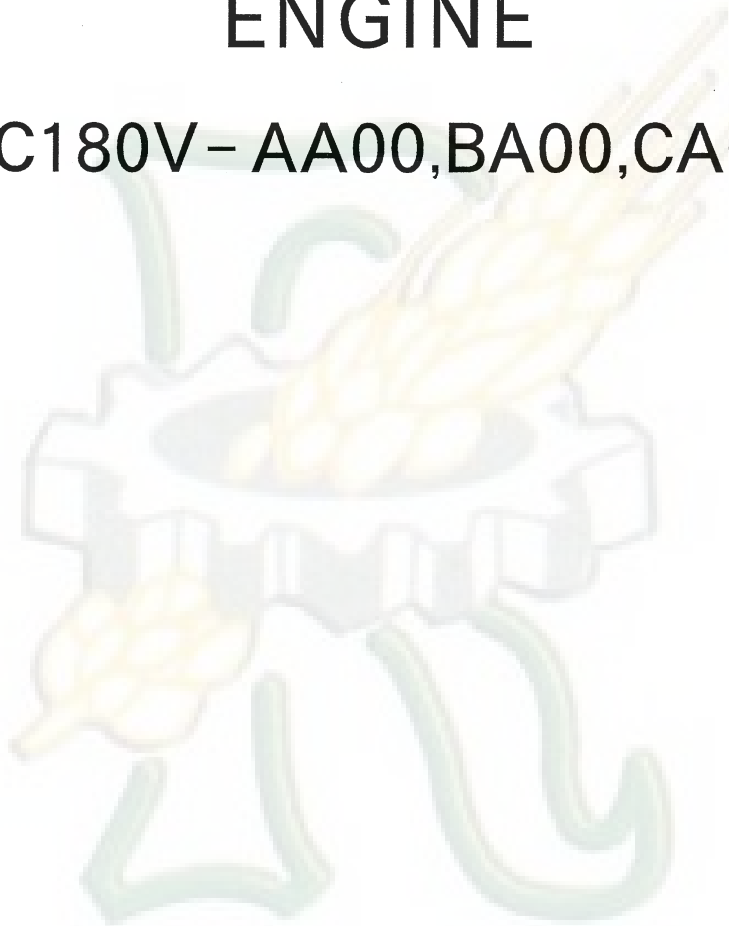


ENGINE

FC180V – AA00,BA00,CA00



CONTENTS

CHASSIS

ENGINE/BRAKE SYSTEM	Fig. 1
Système de freinage	
BLADE SYSTEM (EXCEPT B TYPE)	Fig. 2
Lame (excepté modèle B)	
BLADE SYSTEM (B TYPE)	Fig. 3
Lame (modèle B)	
RACHET SYSTEM	Fig. 4
Cliquet	
JOINT SYSTEM	Fig. 5
Cardan	
CASE SYSTEM	Fig. 6
Boitier	
GEAR SYSTEM	Fig. 7
Pignonnerie	
WHEEL/REAR SYSTEM	Fig. 8
Roue arrière	
WHEEL/FRONT SYSTEM	Fig. 9
Roue avant	
DECK FAN SYSTEM	Fig. 10
Carter de coupe	
COVER/DISCHARGE SYSTEM	Fig. 11
Défecteur	
DECK SYSTEM	Fig. 12
Carter de coupe	
CONTROL LEVER SYSTEM	Fig. 13
Levier de contrôle	
LEVER SYSTEM (EXCEPT B TYPE)	Fig. 14
Levier (excepté modèle B)	
HANDLE SYSTEM (B TYPE)	Fig. 15
Mancheron (modèle B)	
HANDLE SYSTEM (B TYPE)	Fig. 16
Mancheron (modèle B)	
HANDLE SYSTEM (EXCEPT B TYPE)	Fig. 17
Mancheron (excepté modèle B)	

STAY/BAR/HANDLE SYSTEM.....	Fig. 18
Support	
HANDLE (B/E) SYSTEM (EXCEPT B TYPE)	Fig. 19
Manchon (B/E) (excepté modèle B)	
LEVER SYSTEM (B TYPE).....	Fig. 20
Levier (modèle B)	
CABLE/BRAKE SYSTEM.....	Fig. 21
Câble de Frein	
COLLECTOR SYSTEM.....	Fig. 22
Collecteur	
MARK • LABEL SYSTEM.....	Fig. 23
Etiquettes	
SPECIAL TOOLS SYSTEM.....	Fig. 24
Outils	
ORNAMENT SYSTEM.....	Fig. 25
Enjoliveur	
TOOLS, MANUAL SYSTEM.....	Fig. 26
Outils/manuel	

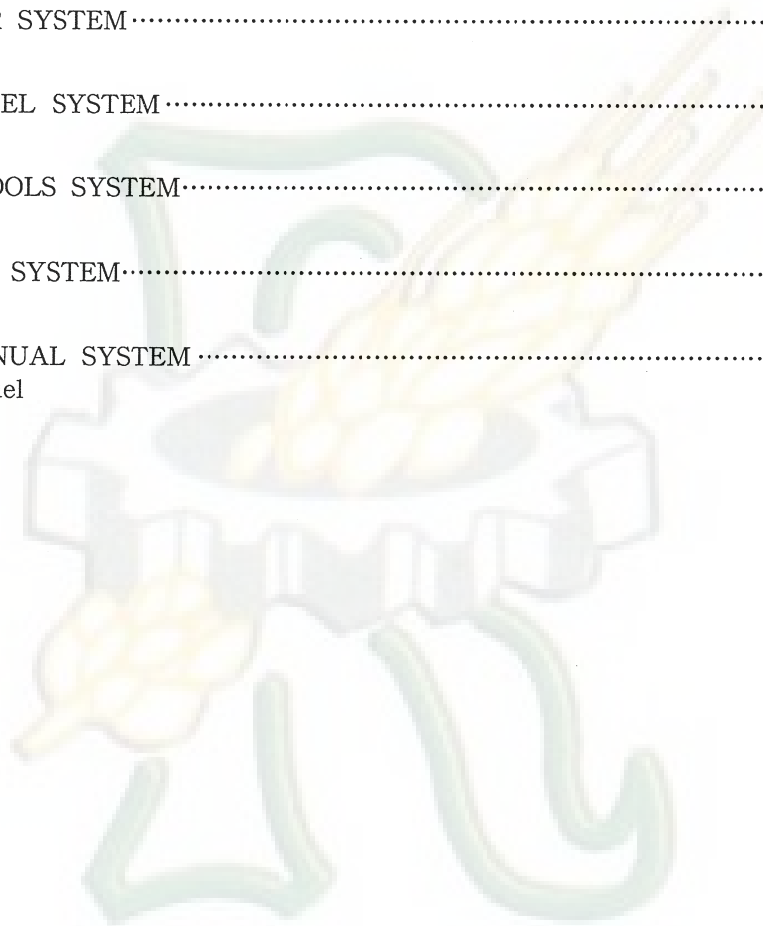
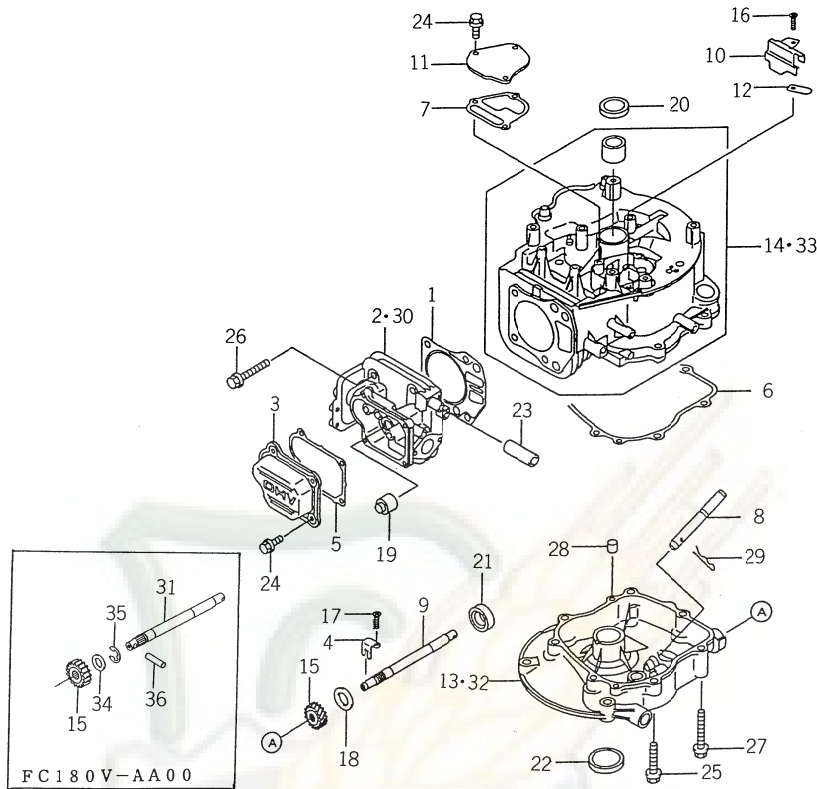


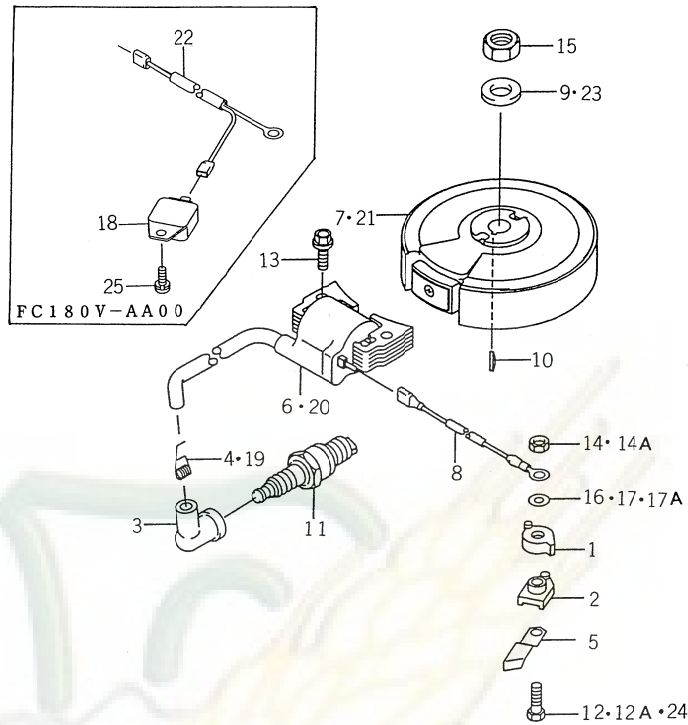
FIG. 1 CYLINDER/CRANKCASE Cylindre/Carter



K621-0010

KEY Réf.	PART CODE Pièces No.	DESCRIPTION	Désignation	QTY Quant.	TYPE OF MODEL			I T C	C O L	G R P	REMARKS Remarques
					FC180V AA00	FC180V BA00	FC180V CA00				
1	5110-042-117-XX	GASKET-HEAD	Joint de cylindre	1	*	*	*				110042117
2	5110-082-117-XX	HEAD-COMP-CYLINDER	Culasse	1		*	*				110082117
3	5110-222-067-XX	CASE-ROCKER	Boitier	1	*	*	*				110222067
4	5110-492-019-XX	BRACKET	Support	1		*	*				110492019
5	5110-602-139-XX	GASKET-ROCKER CASE	Joint	1	*	*	*				110602139
6	5110-602-142-XX	GASKET-CRANKCASE	Joint	1	*	*	*				110602142
7	5110-602-143-XX	GASKET	Joint	1	*	*	*				110602143
8	5131-072-255-XX	SHAFT	Arbre	1	*	*	*				131072255
9	5131-072-272-XX	SHAFT	Arbre	1		*	*				131072272
10	5131-832-504-XX	PLATE	Praque	1	*	*	*				131832504
11	5140-902-032-XX	COVER	Capot	1	*	*	*				140902032
12	5161-262-146-XX	VALVE	Suupape	1	*	*	*				161262146
13	5490-152-338-XX	COVER-CRANKCASE	Carter	1		*	*				490152338
14	5491-206-112-XX	CRANKCASE-COMP	Carter	1		*	*				491206112
15	5590-562-790-XX	GEAR-HERICAL	Pignon	1	*	*	*				590562790
16	5920-092-166-XX	SCREW-5X8	Vis	1	*	*	*				920092166
17	5920-092-308-XX	SCREW	Vis	1		*	*				920092308
18	5920-222-69X-XX	WASHER	Rondelle	1		*	*				92022269
19	5920-491-062-XX	SEAL-OIL	Joint SPI	1	*	*					920491062
20	5920-492-199-XX	SEAL-OIL	Joint SPI	1	*	*	*				920492199
21	5920-492-204-XX	SEAL-OIL	Joint SPI	1	*	*	*				920492204
22	5920-492-210-XX	SEAL-OIL	Joint SPI	1	*	*	*				920492210
23	5921-902-112-XX	TUBE-12X16X46	Tuyau	1	*	*	*				921902112
24	5130-806-12X-XX	BOLT-FLANGED	Vis	7	*	*	*				13080612
25	5130-608-35X-XX	BOLT-FLANGED	Vis	4	*	*	*				13060835

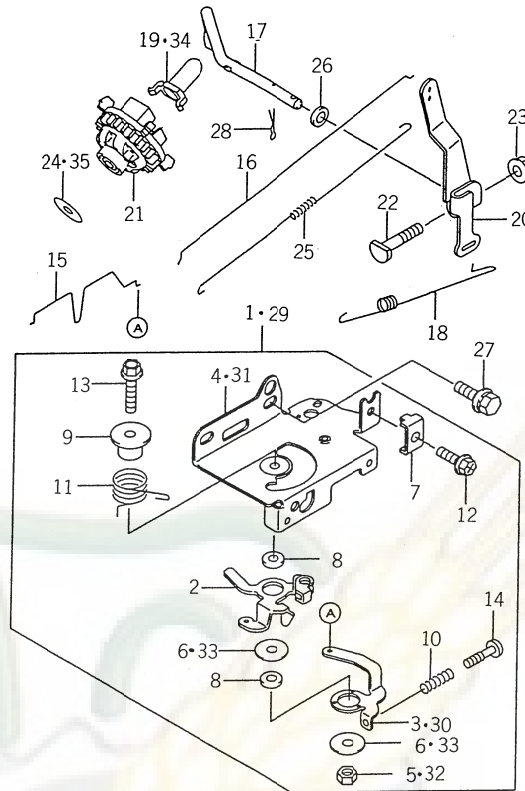
FIG. 6 ELECTRIC – EQUIPMENT Électricite



K621-0060

KEY Réf.	PART CODE Pièces No.	DESCRIPTION	Désignation	QTY Quant.	TYPE OF MODEL			I T C	C O L	G R P	REMARKS Remarques
					FC180V AA00	FC180V BACO	Modél FC180V CA00				
1	5140-242-183-XX	COVER	Capot	1	*	*	*				140242183
2	5160-732-165-XX	INSULATOR	Ecran thermique	1	*	*	*				160732165
3	5211-302-066-XX	CAP-SPARK PLUG	Capuchon	1	*	*	*				211302066
4	5211-692-004-XX	TERMINAL	Borne	1		*	*				211692004
5	5211-692-066-XX	TERMINAL	Borne	1	*	*	*				211692066
6	5211-712-200-XX	COIL-ASSY-IGNITION	Ens. bobine d'allumage	1		*	*				211712200
7	5211-942-292-XX	FLYWHEEL-COMP	Ens. volant	1		*	*				211942292
8	5260-112-306-XX	WIRE-LEAD	Fil	1		*	*				260112306
9	5920-222-102-XX	WASHER	Rondelle	1		*	*				920222102
10	5920-382-077-XX	KEY	Clavette	1	*	*	*				920382077
11	5920-701-167-XX	PLUG-SPARK-BP5ES	Bougin	1	*	*	*				920701167
12	5112-B05-22X-XX	BOLT-UPSET	Vis	1		*					112B0522
12A	5921-502-300-XX	BOLT-4X20	Vis	1			1- -017986 017987-				921502300
13	5130-606-25X-XX	BOLT-FLANGED	Vis	2	*	*	*				13060625
14	5311-B05-00X-XX	NUT-HEX	Ecrou	1	*	*					311B0500
14A	5311-B04-00X-XX	NUT-HEX	Ecrou	1			1- -017986 017987-				311B0400
15	5314-G14-00X-XX	NUT-HEX-FINE	Ecrou	1	*	*	*				314G1400
16	5410-B04-00X-XX	W-PLAIN-S	Rondelle	1		*	*				410B0400
17	5410-B05-00X-XX	W-PLAIN-S	Rondelle	1	*	*					410B0500
17A	5411-B04-00X-XX	WASHER-PLAIN	Rondelle	1			1- -017986 017987-				411B0400
18	5211-192-139-XX	IGNITER	Bougie d'allumage	1	*						211192139
19	5317-270-841-9A	TERMINAL	Borne	1	*						3172708419A
20	5211-712-176-XX	COIL-ASSY-IGNITION	Ens. bobine d'allumage	1	*						211712176
21	5211-942-249-XX	FLYWHEEL-COMP	Ens. volant	1	*						211942249
22	5260-112-297-XX	WIRE-LEAD	Fil	1	*						260112297

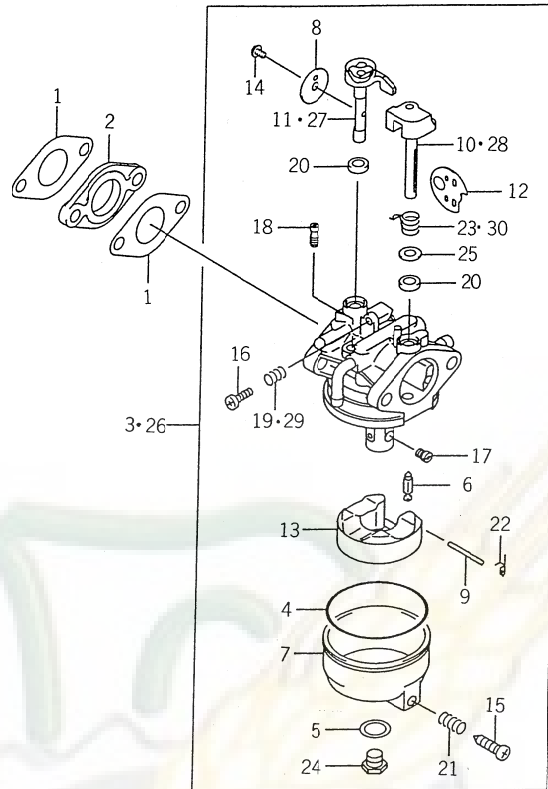
FIG. 7 CONTROL – EQUIPMENT Commandes



K621-0070

KEY Réf.	PART CODE Pièces No.	DESCRIPTION	Désignation	QTY Quant.	TYPE OF MODEL			I T C	C O L	G R P	REMARKS Remarques
					FC180V AA00	FC180V BAC0	Modél FC180V CA00				
1	5391-802-895-XX	PANEL-ASSY-CONTROL	Ens. panneau de commande	1		*	*				391802895
2	5131-682-352-XX	LEVER	Levier	1	*	*	*				131682352
3	5131-682-388-XX	LEVER	Levier	1		*	*				131682388
4	5592-262-291-XX	PANEL-CONTROL	Panneau de commande	1		*	*				592262291
5	5920-152-051-XX	NUT	Ecrou	1		*	*				920152051
6	5920-222-372-XX	WASHER-6X19X1.2	Rondelle	2		*	*				920222372
7	5920-372-209-XX	CLAMP	Attach	1	*	*	*				920372209
8	5921-432-135-XX	COLLAR-6X13X2.3	Entretoise	2	*	*	*				921432135
9	5921-432-148-XX	COLLAR	Entretoise	1	*	*	*				921432148
10	5921-442-266-XX	SPRING	Ressort	1	*	*	*				921442266
11	5921-442-316-XX	SPRING	Ressort	1	*	*	*				921442316
12	5921-502-182-XX	BOLT-5X18	Vis	1	*	*	*				921502182
13	5130-B06-30X-XX	BOLT-FLANGED	Vis	1	*	*	*				130B0630
14	5214-B04-20X-XX	SCREW-PAN	Vis	1	*	*	*				214B0420
15	5161-692-111-XX	LINK-CHOKE	Tige	1	*	*	*				161692111
16	5161-712-068-XX	LINK	Tige	1	*	*	*				161712068
17	5390-032-077-XX	ARM-PIVOT	Bras	1	*	*	*				390032077
18	5391-292-054-XX	SPRING-GOVERNOR	Ressort de regulateur	1	*	*	*				391292054
19	5420-362-051-XX	SLEEVE	Bague	1		*	*				420362051
20	5491-032-127-XX	ARM-GOVERNOR	Bras de regulateur	1	*	*	*				491032127
21	5491-102-080-XX	GOVERNOR-ASSY	Ens. regulateur	1	*	*	*				491102080
22	5920-022-269-XX	BOLT	Vis	1	*	*	*				920022269
23	5920-151-193-XX	NUT	Ecrou	1	*	*	*				920151193
24	5920-222-019-XX	WASHER	Rondelle	1		*	*				920222019
25	5921-442-329-XX	SPRING	Ressort	1	*	*	*				921442329

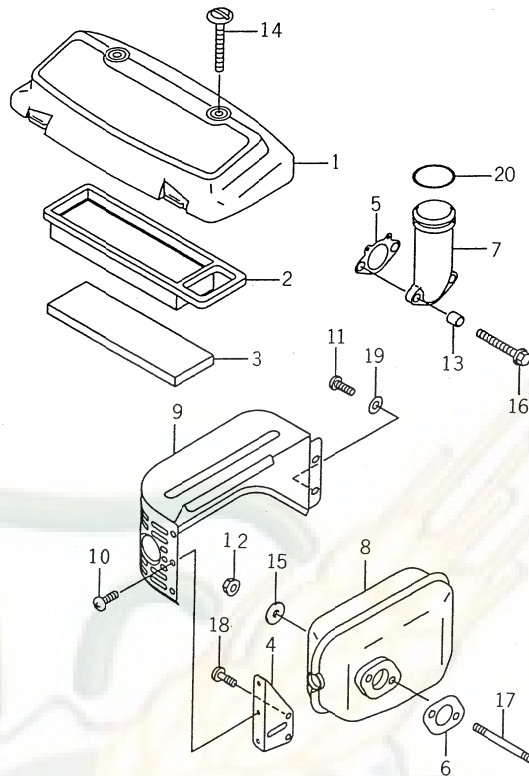
AFIG. 8 CARBURETOR Carburateur



K62-0080

KEY Réf.	PART CODE Pièces No.	DESCRIPTION	Désignation	QTY Quant.	TYPE OF MODEL			Modél	I T C	C O L	G R P	REMARKS Remarques
					FC180V AA00	FC180V BA00	FC180V CA00					
1	5110-602-144-XX	GASKET-CARBURETOR	Joint	2	*	*	*					110602144
2	5160-732-164-XX	INSULATOR	Ecran thermique	1	*	*	*					160732164
3	5150-032-351-XX	CARBURETOR-ASSY	Ens. carburateur	1	*	*	*					150032351
4	5110-602-190-XX	GASKET	Joint	1	*	*	*					110602190
5	5110-602-191-XX	GASKET	Joint	1	*	*	*					110602191
6	5160-092-136-XX	NEEDLE-JET	Pointeau de buse	1	*	*	*					160092136
7	5160-202-129-XX	CHAMBER-FLOAT	Chambre du flotteur	1	*	*	*					160202129
8	5160-252-166-XX	VALVE-THROTTLE	Boisseau	1	*	*	*					160252166
9	5160-412-224-XX	SHAFT-CARBURETOR	Axe papillon	1	*	*	*					160412224
10	5160-412-231-XX	SHAFT-CARBURETOR	Axe papillon	1	*	*	*					160412231
11	5160-412-244-XX	SHAFT-CARBURETOR	Axe papillon	1	*	*	*					160412244
12	5161-262-191-XX	VALVE-CHOKE	Volet d'air	1	*	*	*					161262191
13	5161-832-002-XX	FLOAT-ASSY	Flotteur	1	*	*	*					161832002
14	5230-132-058-XX	SCREW-ASSY	Vis	1	*	*	*					230132058
15	5920-092-348-XX	SCREW	Vis	1	*	*	*					920092348
16	5920-092-349-XX	SCREW	Vis	1	*	*	*					920092349
17	5920-632-242-XX	JET-MAIN 92	Gicleur principal	1	*	*	*					920632242
18	5920-642-094-XX	JET-PILOT 44	Vis de melange	1	*	*	*					920642094
19	5920-812-234-XX	SPRING	Ressort	1	*	*	*					920812234
20	5920-932-100-XX	SEAL	Joint	2	*	*	*					920932100
21	5921-442-333-XX	SPRING	Ressort	1	*	*	*					921442333
22	5921-442-335-XX	SPRING	Ressort	1	*	*	*					921442335
23	5921-442-364-XX	SPRING	Ressort	1	*	*	*					921442364
24	5921-502-263-XX	BOLT	Vis	1	*	*	*					921502263
25	5922-002-061-XX	WASHER-9. 8X5. 5X1. 0	Rondelle	1	*	*	*					922002061

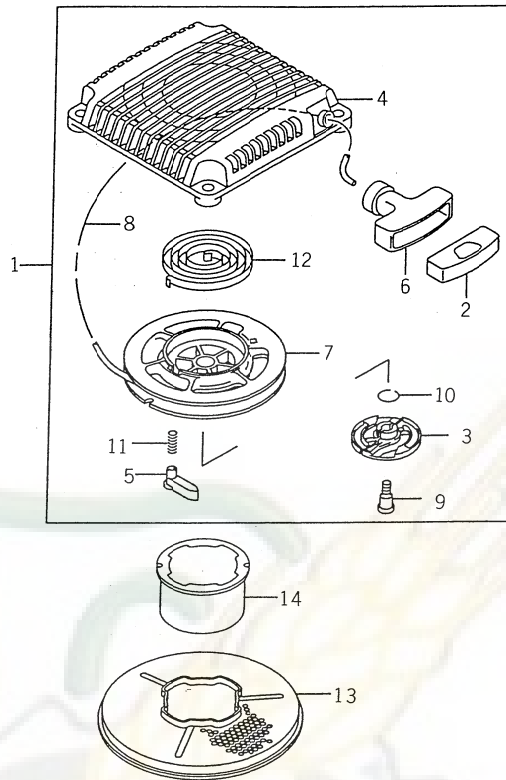
FIG. 9 AIR – FILTER/MUFFLER Filtre à air/Echappement



K621-0090

KEY Réf.	PART CODE Pièces No.	DESCRIPTION	Désignation	QTY Quant.	TYPE OF MODEL			Modél	I T C	C O L	G R P	REMARKS Remarques
					FC180V AA00	FC180V BA00	FC180V CA00					
1	5110-122-327-XX	CAP-AIR FILTER	Capuchon	1	*	*	*					110122327
2	5110-132-151-XX	ELEMENT-AIR FILTER	Ens. element	1	*	*	*					110132151
3	5110-132-152-XX	ELEMENT-AIR-FILTER	Element	1	*	*	*					110132152
4	5110-462-053-XX	BRACKET	Support	1	*	*	*					110462053
5	5110-602-141-XX	GASKET	Joint	1	*	*	*					110602141
6	5110-602-185-XX	GASKET-MUFFLER	Joint	1	*	*	*					110602185
7	5160-602-171-XX	PIPE-INTAKE	Tubulure d'admission	1	*	*	*					160602171
8	5490-702-491-XX	MUFFLER-COMP	Echappement	1	*	*	*					490702491
9	5491-062-446-XX	COVER-MUFFLER	Couvercle	1	*	*	*					491062446
10	5920-092-166-XX	SCREW-5X8	Vis	3	*	*	*					920092166
11	5920-092-308-XX	SCREW	Vis	2	*	*	*					920092308
12	5920-151-193-XX	NUT	Ecrou	2	*	*	*					920151193
13	5920-262-272-XX	SPACER-6. 2X7. 8X8	Pièce d'écartement	2	*	*	*					920262272
14	5921-502-152-XX	BOLT	Vis	2	*	*	*					921502152
15	5922-002-032-XX	WASHER-7X21X2. 3	Rondelle	2	*	*	*					922002032
16	5156-R06-80X-XX	BOLT-WP	Vis	2	*	*	*					156R0680
17	5172-G06-80X-XX	BOLT-STUD	Goujon	2	*	*	*					172G0680
18	5214-B05-10X-XX	SCREW-PAN	Vis	2	*	*	*					214B0510
19	5411-B05-00X-XX	WASHER-PLAIN	Rondelle	2	*	*	*					411B0500
20	5670-B30-32X-XX	O RING	Joint torique	1	*	*	*					670B3032

FIG. 11 STARTER Démarrreur



K621-0110

KEY Réf.	PART CODE Pièces No.	DESCRIPTION	Désignation	QTY Quant.	TYPE OF MODEL			I T C	C O L	G R P	REMARKS Remarques
					FC180V AA00	FC180V BA00	FC180V CA00				
1	5490-882-423-XX	STARTER-RECOIL	Lanceur	1	*	*	*				490882423
2	5110-122-255-XX	CAP-GRIP	Capuchon	1	*	*	*				110122255
3	5130-702-088-XX	GUIDE-PAWL	Guide	1	*	*	*				130702088
4	5130-912-129-XX	HOLDER-RECOIL	Support	1	*	*	*				130912129
5	5131-652-082-XX	PAWL-RECOIL STARTER	Cliquet	2	*	*	*				131652082
6	5460-752-082-XX	GRIP-RECOIL STARTER	Poignée	1	*	*	*				460752082
7	5591-012-095-XX	REEL-RECOIL STARTER	Poulie	1	*	*	*				591012095
8	5591-062-126-XX	ROPE-3. 8X1650	Corde	1	*	*	*				591062126
9	5920-092-347-XX	SCREW	Vis	1	*	*	*				920092347
10	5920-332-160-XX	RING-SNAP	Collet d'axe	1	*	*	*				920332160
11	5921-442-177-XX	SPRING-RETURN	Coupelle	2	*	*	*				921442177
12	5921-442-272-XX	SPRING	Ressort	1	*	*	*				921442272
13	5140-372-127-XX	SCREEN	Vis	1	*	*	*				140372127
14	5490-802-166-XX	PULLEY-STARTING	Bol	1	*	*	*				490802166

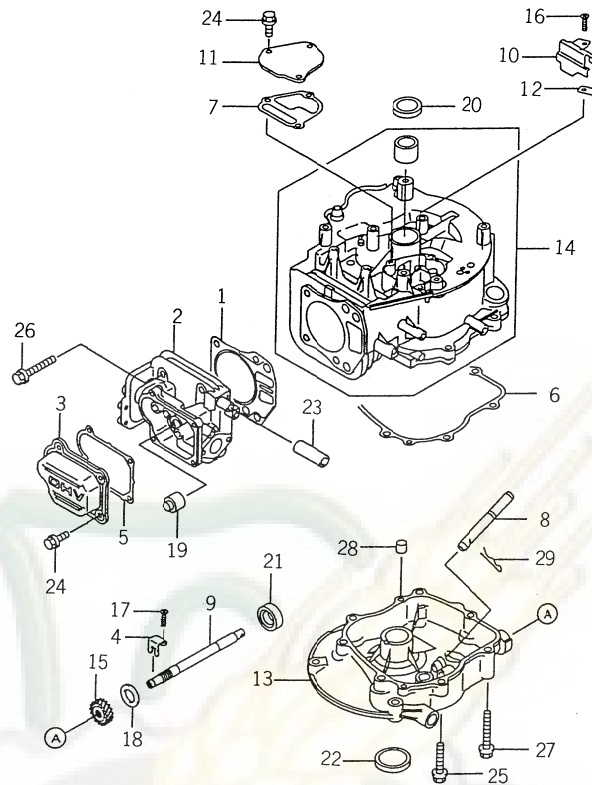
ENGINE

FC180V - AB00, BB00



ENGINE

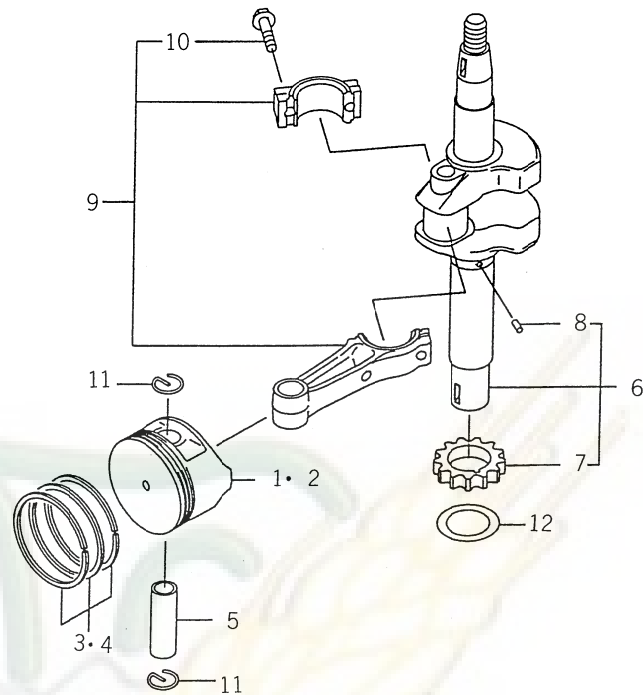
FIG. 1 CYLINDER/CRANKCASE
Cylindre/Carter



K621-0010

KEY Réf.	PART CODE Pièces No.	DESCRIPTION	Désignation	QTY Quant.	TYPE OF MODEL		Modél	I T C	C O L	G R P	REMARKS Remarques
					FC180V AB00	FC180V BB00					
1	5110-042-117-XX	GASKET-HEAD	Joint de cylindre	1	*	*					110042117
2	5110-082-117-XX	HEAD-COMP-CYLINDER	Culasse	1	*	*					110082117
3	5110-222-067-XX	CASE-ROCKER	Boitier	1	*	*					110222067
4	5110-492-019-XX	BRACKET	Support	1	*	*					110492019
5	5110-602-139-XX	GASKET-ROCKER CASE	Joint	1	*	*					110602139
6	5110-602-142-XX	GASKET-CRANKCASE	Joint	1	*	*					110602142
7	5110-602-143-XX	GASKET	Joint	1	*	*					110602143
8	5131-072-255-XX	SHAFT	Arbre	1	*	*					131072255
9	5131-072-272-XX	SHAFT	Arbre	1	*	*					131072272
10	5131-832-504-XX	PLATE	Praque	1	*	*					131832504
11	5140-902-032-XX	COVER	Capot	1	*	*					140902032
12	5161-262-146-XX	VALVE	Soupape	1	*	*					161262146
13	5490-152-338-XX	COVER-CRANKCASE	Carter	1	*	*					490152338
14	5491-206-112-XX	CRANKCASE-COMP	Carter	1	*	*					491206112
15	5590-562-790-XX	GEAR-HERICAL	Pignon	1	*	*					590562790
16	5920-092-166-XX	SCREW-5X8	Vis	1	*	*					920092166
17	5920-092-308-XX	SCREW	Vis	1	*	*					920092308
18	5920-222-69X-XX	WASHER	Rondelle	1	*	*					92022269
19	5920-491-062-XX	SEAL-OIL	Joint SPI	1	*	*					920491062
20	5920-492-199-XX	SEAL-OIL	Joint SPI	1	*	*					920492199
21	5920-492-204-XX	SEAL-OIL	Joint SPI	1	*	*					920492204
22	5920-492-210-XX	SEAL-OIL	Joint SPI	1	*	*					920492210
23	5921-902-112-XX	TUBE-12X16X46	Tuyau	1	*	*					921902112
24	5130-B06-12X-XX	BOLT-FLANGED	Vis	7	*	*					130B0612
25	5130-G08-35X-XX	BOLT-FLANGED	Vis	4	*	*					130G0835

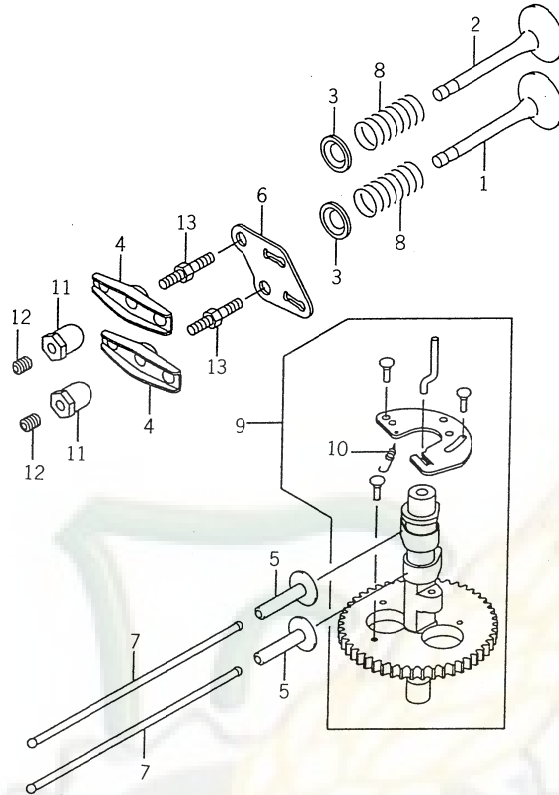
FIG. 2 PISTON / CRANKSHAFT Piston / Vilebrequin



K621-0020

KEY Réf.	PART CODE Pièces No.	DESCRIPTION	Désignation	QTY Quant.	TYPE OF MODEL			I T C	C O L	G R P	REMARKS Remarques
					FC180V AB00	FC180V BB00	Modél				
1	5130-012-134-XX	PISTON-ENGINE	Piston	1	*	*					130012134
2	5130-292-121-XX	PISTON-ENGINE L-0.50	Piston	1	T	T					130292121
3	5130-086-029-XX	RING-SET-PISTON	Jeu de segments	1	*	*					130086029
4	5130-252-099-XX	RING-SET-PISTON L-0.5	Jeu de segments	1	T	T					130252099
5	5130-021-004-XX	PIN-PISTON	Axe de piston	1	*	*					130021004
6	5130-312-062-XX	CRANKSHAFT-COMP	Vilebrequin	1	*	*					130312062
7	5590-512-330-XX	GEAR-SPUR	Pignon	1	*	*					590512330
8	5551-A03-06X-XX	PIN-DOWEL	Douille	1	*	*					551A0306
9	5132-516-052-XX	ROD-ASSY-CONNECTING	Bielle	1	*	*					132516052
10	5921-502-122-XX	BOLT-CONNECTING ROD	Vis	2	*	*					921502122
11	5920-332-053-XX	RING-SNAP	Circlips	2	*	*					920332053
12	5922-002-069-XX	WASHER	Rondelle	1	*	*					922002069

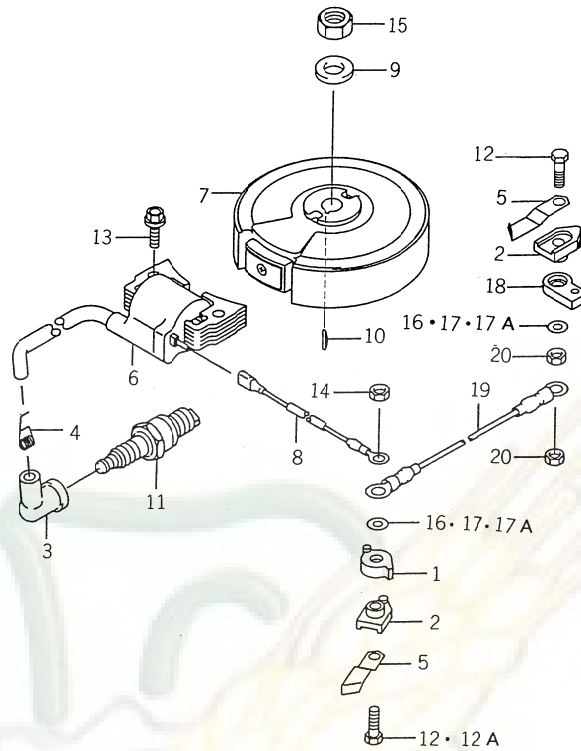
FIG. 3 VALVE/CAMSHAFT
Soupape/Arbre à cames



K621-0030

KEY Réf.	PART CODE Pièces No.	DESCRIPTION	Désignation	QTY Quant.	TYPE OF MODEL		Modél	I T C	C O L	G R P	REMARKS Remarques
					FC180V A800	FC180V B800					
1	5120-042-101-XX	VALVE-INTAKE	Soupape d'admission	1	*	*					120042101
2	5120-052-089-XX	VALVE-EXHAUST	Soupape d'echappement	1	*	*					120052089
3	5120-092-062-XX	RETAINER-VALVE	Coupelle	2	*	*					120092062
4	5120-162-057-XX	ARM-ROCKER	Culbuteur	2	*	*					120162057
5	5120-322-065-XX	TAPPET	Poussoir	2	*	*					120322065
6	5130-702-091-XX	GUIDE	Guide	1	*	*					130702091
7	5131-162-065-XX	ROD-PUSH	Tige-poussoir	2	*	*					131162065
8	5490-782-064-XX	SPRING-ENGINEVALVE	Ressort	2	*	*					490782064
9	5491-182-126-XX	CAMSHAFT-COMP	Arbre a cames	1	*	*					491182126
10	5921-442-315-XX	SPRING	Ressort	1	*	*					921442315
11	5920-152-253-XX	NUT	Erou	2	*	*					920152253
12	5920-092-341-XX	SCREW	Vis	2	*	*					920092341
13	5921-502-248-XX	BOLT	Vis	2	*	*					921502248

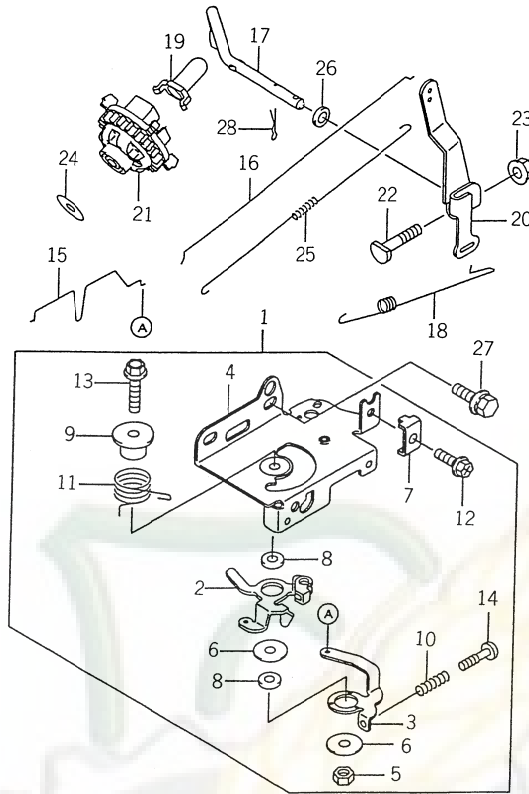
FIG. 6 ELECTRIC – EQUIPMENT Électricité



K621-0060

KEY Réf.	PART CODE Pièces No.	DESCRIPTION	Désignation	QTY Quant.	TYPE OF MODEL		Modél	I T C	C O L	G R P	REMARKS Remarques
					FC180V AB00	FC180V BB00					
1	5140-242-183-XX	COVER	Capot	1	*	*					140242183
2	5160-732-165-XX	INSULATOR	Ecran thermique	2	*	*					160732165
3	5211-302-066-XX	CAP-SPARK PLUG	Capuchon	1	*	*					211302066
4	5211-692-004-XX	TERMINAL	Borne	1	*	*					211692004
5	5211-692-066-XX	TERMINAL	Borne	2	*	*					211692066
6	5211-712-200-XX	COIL-ASSY-IGNITION	Ens. bobine d'allumage	1	*	*					211712200
7	5211-942-292-XX	FLYWHEEL-COMP	Ens. volant	1	*	*					211942292
8	5260-112-306-XX	WIRE-LEAD	Fil	1	*	*					260112306
9	5920-222-102-XX	WASHER	Rondelle	1	*	*					920222102
10	5920-382-077-XX	KEY	Clavette	1	*	*					920382077
11	5920-701-167-XX	PLUG-SPARK-BP5ES	Bougie	1	*	*					920701167
12	5921-502-300-XX	BOLT-4X20	Vis	1	*	1- -017986 017987-					921502300
12A	5112-B05-22X-XX	BOLT-UPSET	Vis	1	*	*					112B0522
13	5130-G06-25X-XX	BOLT-FLANGED	Vis	2	*	*					130G0625
14	5311-B04-00X-XX	NUT-HEX	Ecrou	1	*	*					311B0400
15	5314-G14-00X-XX	NUT-HEX-FINE	Ecrou	1	*	*					314G1400
16	5410-B04-00X-XX	W-PLAIN-S	Rondelle	1	*	*					410B0400
17	5410-B05-00X-XX	W-PLAIN-S	Rondelle	1	*	1- -017986 017987-					410B0500
17A	5411-B04-00X-XX	WASHER-PLAIN	Rondelle	1	*	*					411B0400
18	5160-732-123-XX	INSULATOR	Ecran thermique	1	*	*					160732123
19	5260-112-323-XX	WIRE-LEAD	Fil	1	*	*					260112323
20	5311-B05-00X-XX	NUT-HEX	Ecrou	2	*	*					311B0500

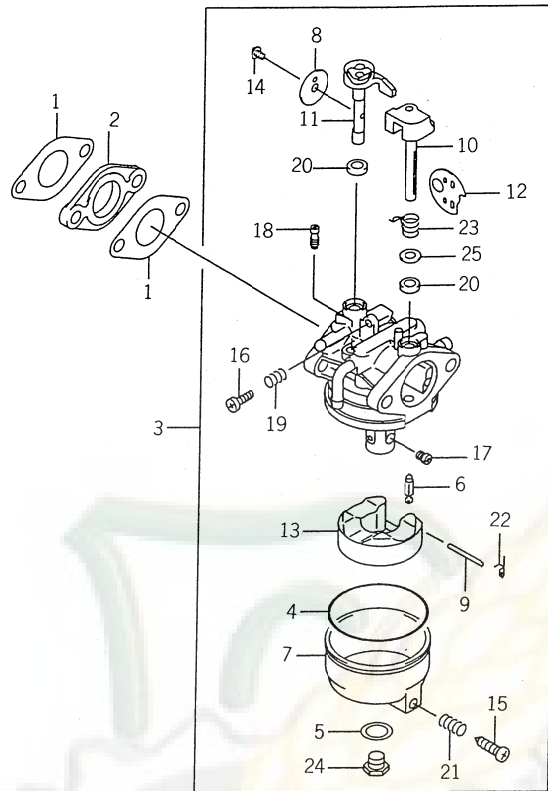
FIG. 7 CONTROL – EQUIPMENT Commandes



K621-0070

KEY Réf.	PART CODE Pièces No.	DESCRIPTION	Désignation	QTY Quant.	TYPE OF MODEL Modél			I T C	C O L	G R P	REMARKS Remarques
					FC180V AB00	FC180V BB00					
1	5391-802-895-XX	PANEL-ASSY-CONTROL	Ens. panneau de commande	1	*	*					391802895
2	5131-682-352-XX	LEVER	Levier	1	*	*					131682352
3	5131-682-388-XX	LEVER	Levier	1	*	*					131682388
4	5592-262-291-XX	PANEL-CONTROL	Panneau de commande	1	*	*					592262291
5	5920-152-051-XX	NUT	Ecrou	1	*	*					920152051
6	5920-222-372-XX	WASHER-6X19X1.2	Rondelle	2	*	*					920222372
7	5920-372-209-XX	CLAMP	Attache	1	*	*					920372209
8	5921-432-135-XX	COLLAR-6X13X2.3	Entretoise	2	*	*					921432135
9	5921-432-148-XX	COLLAR	Entretoise	1	*	*					921432148
10	5921-442-266-XX	SPRING	Ressort	1	*	*					921442266
11	5921-442-316-XX	SPRING	Ressort	1	*	*					921442316
12	5921-502-182-XX	BOLT-5X18	Vis	1	*	*					921502182
13	5130-B06-30X-XX	BOLT-FLANGED	Vis	1	*	*					130B0630
14	5214-B04-20X-XX	SCREW-PAN	Vis	1	*	*					214B0420
15	5161-692-111-XX	LINK-CHOKE	Tige	1	*	*					161692111
16	5161-712-068-XX	LINK	Tige	1	*	*					161712068
17	5390-032-077-XX	ARM-PIVOT	Bras	1	*	*					390032077
18	5391-292-054-XX	SPRING-GOVERNOR	Ressort de regulateur	1	*	*					391292054
19	5420-362-051-XX	SLEEVE	Bague	1	*	*					420362051
20	5491-032-127-XX	ARM-GOVERNOR	Bras de regulateur	1	*	*					491032127
21	5491-102-080-XX	GOVERNOR-ASSY	Ens. regulateur	1	*	*					491102080
22	5920-022-269-XX	BOLT	Vis	1	*	*					920022269
23	5920-151-193-XX	NUT	Ecrou	1	*	*					920151193
24	5920-222-019-XX	WASHER	Rondelle	1	*	*					920222019
25	5921-442-329-XX	SPRING	Ressort	1	*	*					921442329

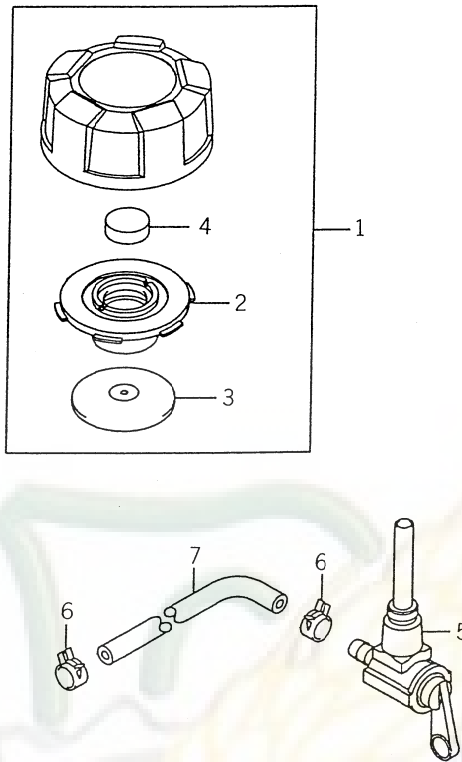
FIG. 8 CARBURETOR Carburateur



K621-0080

KEY Réf.	PART CODE Pièces No.	DESCRIPTION	Désignation	QTY Quant.	TYPE OF MODEL		Modél	I T C	C O L	G R P	REMARKS Remarques
					FC180V AB00	FC180V BB00					
1	5110-602-144-XX	GASKET-CARBURETOR	Joint	2	*	*					110602144
2	5160-732-164-XX	INSULATOR	Ecran thermique	1	*	*					160732164
3	5150-032-351-XX	CARBURETOR-ASSY	Ens. carburateur	1	*	*					150032351
4	5110-602-190-XX	GASKET	Joint	1	*	*					110602190
5	5110-602-191-XX	GASKET	Joint	1	*	*					110602191
6	5160-092-136-XX	NEEDLE-JET	Pointeau de buse	1	*	*					160092136
7	5160-202-129-XX	CHAMBER-FLOAT	Chambre du flotteur	1	*	*					160202129
8	5160-252-166-XX	VALVE-THROTTLE	Boisseau	1	*	*					160252166
9	5160-412-224-XX	SHAFT-CARBURETOR	Axe papillon	1	*	*					160412224
10	5160-412-231-XX	SHAFT-CARBURETOR	Axe volet d'air	1	*	*					160412231
11	5160-412-244-XX	SHAFT-CARBURETOR	Axe volet d'air	1	*	*					160412244
12	5161-262-191-XX	VALVE-CHOKE	Volet d'air	1	*	*					161262191
13	5161-832-002-XX	FLOAT-ASSY	Flotteur	1	*	*					161832002
14	5230-132-058-XX	SCREW-ASSY	Vis	1	*	*					230132058
15	5920-092-348-XX	SCREW	Vis	1	*	*					920092348
16	5920-092-349-XX	SCREW	Vis	1	*	*					920092349
17	5920-632-242-XX	JET-MAIN 92	Gicleur principal	1	*	*					920632242
18	5920-642-094-XX	JET-PILOT 44	Vis de mélange	1	*	*					920642094
19	5920-812-234-XX	SPRING	Ressort	1	*	*					920812234
20	5920-932-100-XX	SEAL	Joint	2	*	*					920932100
21	5921-442-333-XX	SPRING	Ressort	1	*	*					921442333
22	5921-442-335-XX	SPRING	Ressort	1	*	*					921442335
23	5921-442-364-XX	SPRING	Ressort	1	*	*					921442364
24	5921-502-263-XX	BOLT	Vis	1	*	*					921502263
25	5922-002-061-XX	WASHER-9. 8X5. 5X1.0	Rondelle	1	*	*					922002061

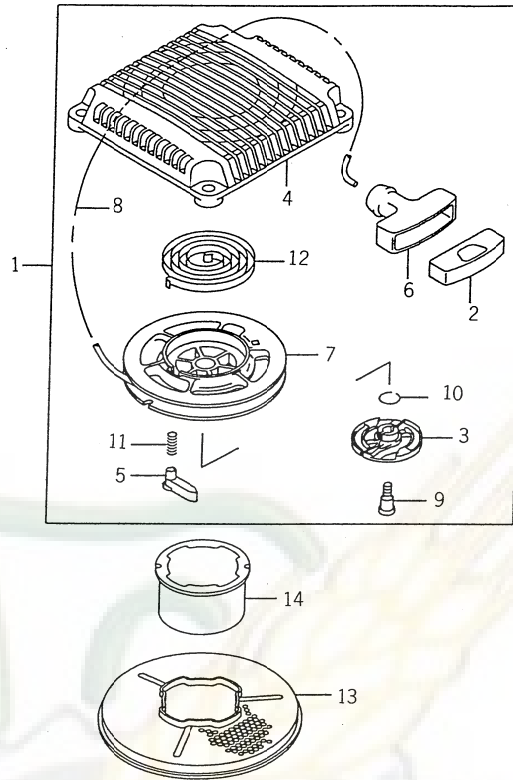
FIG. 10 FUEL – TANK / FUEL – VALVE
Reservoir / Robinet à carburant



K621-0100

KEY Réf.	PART CODE Pièces No.	DESCRIPTION	Désignation	QTY Quant.	TYPE OF MODEL		Modél	I T C	C O L	G R P	REMARKS Remarques
					FC180V AB00	FC180V BB00					
1	5510-482-072-XX	CAP-ASSY-TANK	Ens. bouchon	1	*	*					510482072
2	5110-602-145-XX	GASKET	Joint	1	*	*					110602145
3	5131-832-505-XX	PLATE	Praque	1	*	*					131832505
4	5491-092-054-XX	ELEMENT-BREATHER	Element	1	*	*					491092054
5	5510-232-160-XX	TAP-ASSY	Ensemble robinet	1	*	*					510232160
6	5920-372-113-XX	CLAMP	Attache	2	*	*					920372113
7	5921-902-113-XX	TUBE-5X10X223	Tuyau	1	*	*					921902113

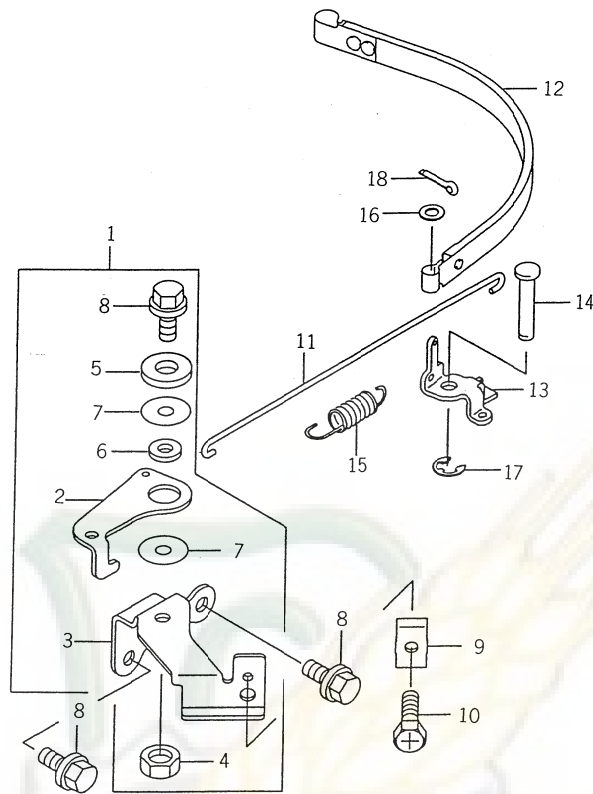
FIG. 11 STARTER
Démarrreur



K621-0110

KEY Réf.	PART CODE Pièces No.	DESCRIPTION	Désignation	QTY Quant.	TYPE OF MODEL		Modél	I T C	C O L	G R P	REMARKS Remarques
					FC180V AB00	FC180V BB00					
1	5490-882-458-XX	STARTER-RECOIL	Lanceur	1	*	*					490882458
2	5110-122-255-XX	CAP-GRIP	Capuchon	1	*	*					110122255
3	5130-702-088-XX	GUIDE-PAWL	Guide	1	*	*					130702088
4	5130-912-129-XX	HOLDER-RECOIL	Support	1	*	*					130912129
5	5131-652-082-XX	PAWL-RECOIL STARTER	Cliquet	2	*	*					131652082
6	5460-752-091-XX	GRIP-RECOIL STARTER	Poignée	1	*	*					460752091
7	5591-012-095-XX	REEL-RECOIL STARTER	Poulie	1	*	*					591012095
8	5591-062-131-XX	ROPE-3. 8X2450	Corde	1	*	*					591062131
9	5920-092-347-XX	SCREW	Vis	1	*	*					920092347
10	5920-332-160-XX	RING-SNAP	Collet d'axe	1	*	*					920332160
11	5921-442-177-XX	SPRING-RETURN	Coupelle	2	*	*					921442177
12	5921-442-272-XX	SPRING	Ressort	1	*	*					921442272
13	5140-372-127-XX	SCREEN	Vis	1	*	*					140372127
14	5490-802-166-XX	PULLEY-STARTING	Bol	1	*	*					490802166

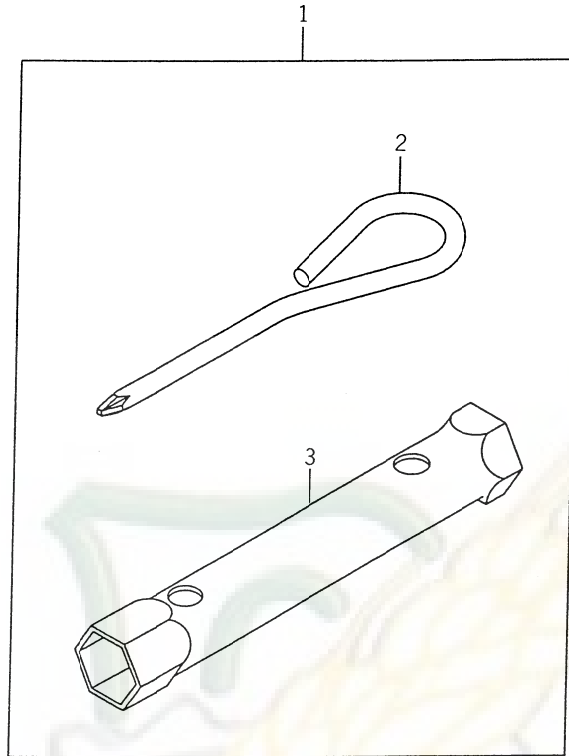
FIG. 12 BRAKE/COVER
Frein de couvercle



K621-0120

KEY Réf.	PART CODE Pièces No.	DESCRIPTION	Désignation	QTY Quant.	TYPE OF MODEL Modél			I T C	C O L	G R P	REMARKS Remarques
					FC180V AB00	FC180V BB00					
1	5410-352-051-XX	PANEL-ASSY BRAKE	Panneau	1	*	*					410352051
2	5131-682-400-XX	LEVER	Levier	1	*	*					131682400
3	5592-262-296-XX	PANEL-CONTROL	Ens. panneau de commande	1	*	*					592262296
4	5920-152-051-XX	NUT	Ecrou	1	*	*					920152051
5	5920-222-372-XX	WASHER-6X19X1.2	Rondelle	1	*	*					920222372
6	5921-432-208-XX	COLLAR	Entretoise	1	*	*					921432208
7	5922-002-036-XX	WASHER	Rondelle	2	*	*					922002036
8	5130-806-14X-XX	BOLT-FLANGED	Vis	3	*	*					13080614
9	5920-372-209-XX	CLAMP	Attache	1	*	*					920372209
10	5921-502-182-XX	BOLT-5X18	Vis	1	*	*					921502182
11	5161-712-076-XX	LINK	Tige	1	*	*					161712076
12	5391-872-053-XX	BAND-BRAKE	Bande	1	*	*					391872053
13	5430-012-056-XX	LEVER-BRAKE	Levier de frein	1	*	*					430012056
14	5920-432-170-XX	PIN	Axe	1	*	*					920432170
15	5921-442-362-XX	SPRING	Ressort	1	*	*					921442362
16	5410-805-00X-XX	W-PLAIN-S	Rondelle	1	*	*					41080500
17	5482-L40-00X-XX	CIRCLIP-TYPE-E	Circlips	1	*	*					482L4000
18	5550-D20-10X-XX	PIN-COTTER	Axe	1	*	*					550D2010

FIG. 14 ACCESSORY
Accessoire



X621-0130

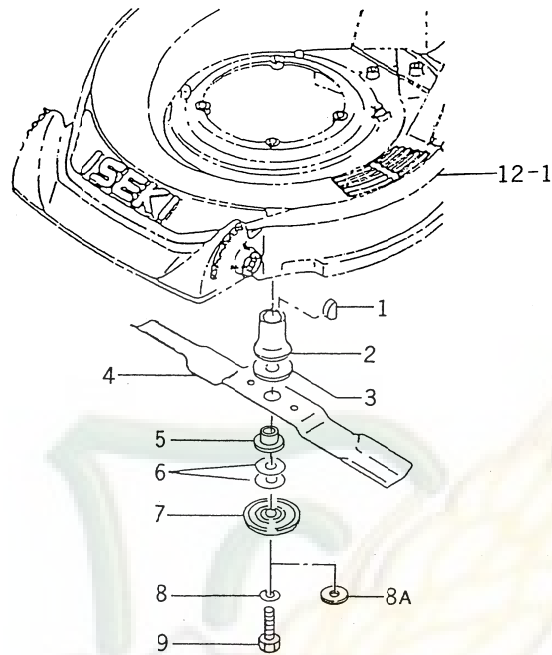
KEY Réf.	PART CODE Pièces No.	DESCRIPTION	Désignation	QTY Quant.	TYPE OF MODEL		Modél	I T C	C O L	G R P	REMARKS Remarques
					FC180V AB00	FC180V BB00					
1	5560-072-118-XX	TOOLKIT	Qutil	1	*	*					560072118
2	5921-072-057-XX	TOOL-DRIVER	Tournevis	1	*	*					921072057
3	5921-102-093-XX	TOOL-WRENCH-19X21	Clef plate	1	*	*					921102093

CHASSIS



CHASSIS

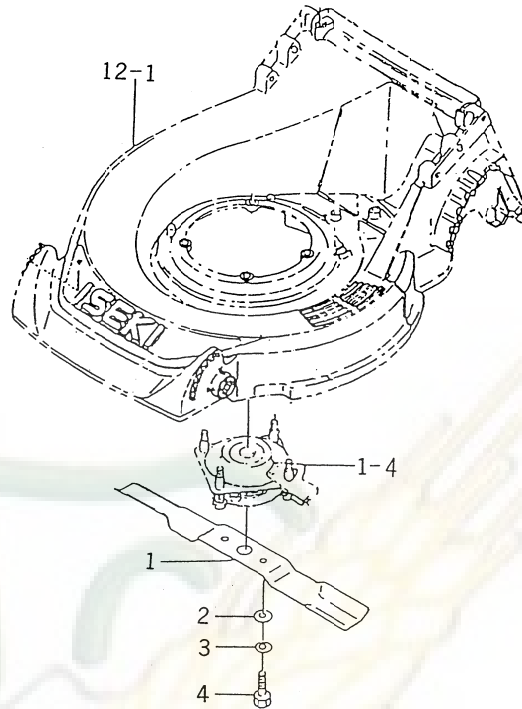
FIG. 2 BLADE SYSTEM (EXCEPT B TYPE)
Lame (excepté modèle B)



2500-235

KEY Réf.	PART CODE Pièces No.	DESCRIPTION	Désignation	QTY Quant.	TYPE OF MODEL			Modél	I T C	C O L	G R P	REMARKS Remarques
					BE01	E01						
1	2500-210-001-00	KEY,	Clavette	1	*							
2	2500-215-001-00	BOSS	Moyeu	1	*							
3	2500-265-009-10	LINING/26X56X3	Rondelle	1	*							
4	2500-265-001-30	PLATE/520	Plaque	1	*							
5	2500-265-007-30	SPACER	Rondelle	1	*							
6	2500-265-008-20	SHIM/0. 3/11X24	Rondelle	2	*							
7	2500-265-013-00	SPRING, PLATE	Rondelle ressort	1	*							
8	2500-210-202-00	S. W	Rondelle	1		1- -104712						
8A	2500-265-014-00	WASHER/10X37X06	Rondelle	1		104713-						
9	2500-265-003-00	BOLT, UNF3/8X51	Vis	1	*							

FIG. 3 BLADE SYSTEM (B TYPE)
Lame (modèle B)



2500-270

KEY Réf.	PART CODE Pièces No.	DESCRIPTION	Désignation	QTY Quant.	TYPE OF MODEL			Modél	I T C	C O L	G R P	REMARKS Remarques
					BE01	E01						
1	2500-265-001-30	PLATE/520	Plaque	1		*						
2	1328-601-004-00	WASHER	Rondelle	2		*						
3	V401-160-010-00	S. W	Rondelle	2		*						
4	V203-361-002-00	BOLT/M10X20	Vis	2		*						

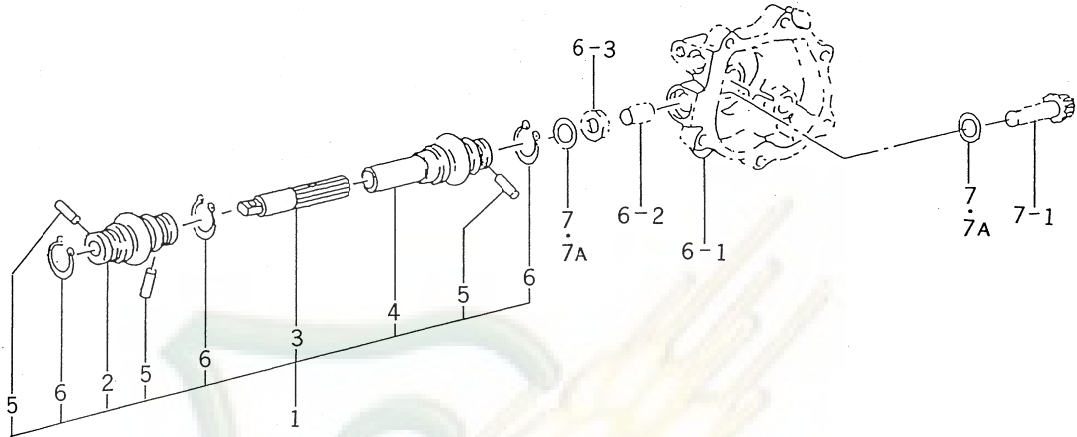
FIG. 4 RACHET SYSTEM
Cliquet



2500-312

KEY Réf.	PART CODE Pièces No.	DESCRIPTION	Désignation	QTY Quant.	TYPE OF MODEL			Modél	I T C	C O L	G R P	REMARKS Remarques
					BE01	E01						
1	2500-312-002-00	SEAL12X05	Joint d'étancheite	2	*	*						
2	2500-312-008-10	PIN, STRAIGHT/04X18/	Axe	2	*	*						
3	2500-312-003-00	HOLDER, RACHET	Support	2	*	*						
4	2500-312-004-10	CAM, RACHET	Cames	4	*	*						
5	2500-312-005-10	SPRING, RACHET	Ressort	2	*	*						
6	2500-312-200-00	GEAR, SPUR/13	Pignon	2	*	*						
7	3650-440-014-00	BUSH/12X14X20	Douille	2	*	*						
8	2500-311-012-00	WASHER/12X21X01	Rondelle	2	*	*						
9	V704-140-012-00	RING, SNAP/12	Circrips	2	*	*						

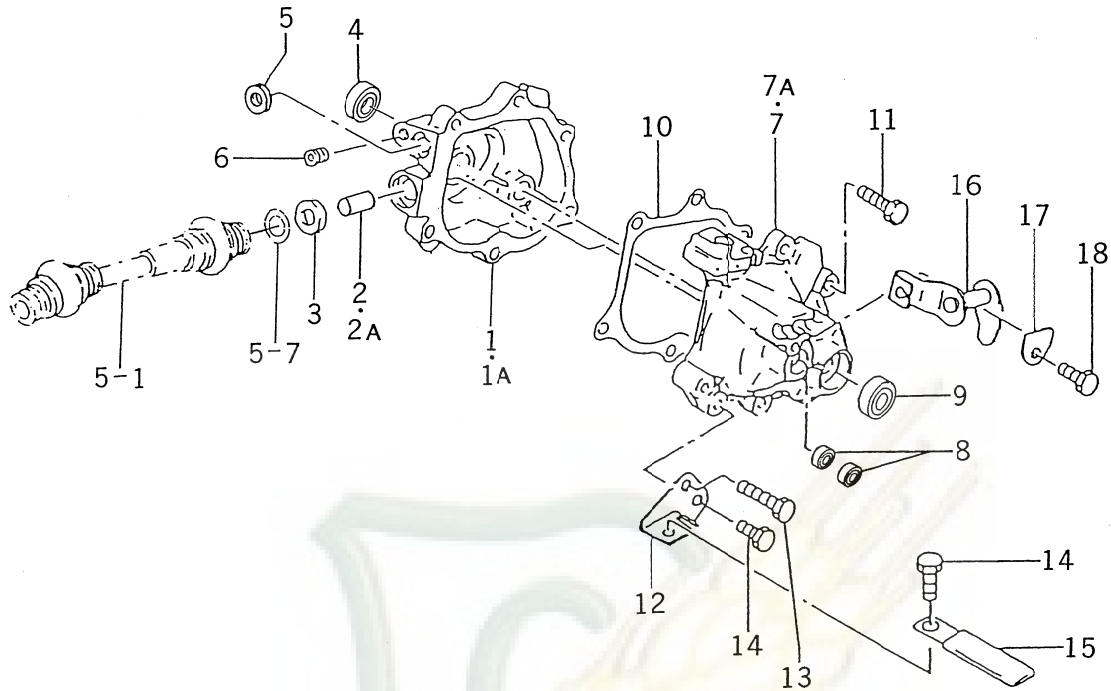
FIG. 5 JOINT SYSTEM
Cardan



2500-352

KEY Réf.	PART CODE Pièces No.	DESCRIPTION	Désignation	QTY Quant.	TYPE OF MODEL		Modél	I T C	C O L	G R P	REMARKS Remarques
					BE01	E01					
1	2500-352-200-10	JOINT	Coudom	1	*	*					
2	2503-302-201-10	JOINT/A	Coudom/A	1	*	*					
3	2500-352-202-00	SHAFT, SPLINE	Arbre	1	*	*					
4	2503-302-203-10	JOINT/B	Coudom/B	1	*	*					
5	2503-302-204-10	PIN/04X18	Axe	3	*	*					
6	V704-140-020-00	RING, SNAP/20	Circlips	3	*	*					
7	2500-302-051-00	WASHER/11X25X01	Rondelle	1	1- -102704	1- -104712					
7A	2500-510-006-00	WASHER/11X20X01	Rondelle	1	102705-	104713-					

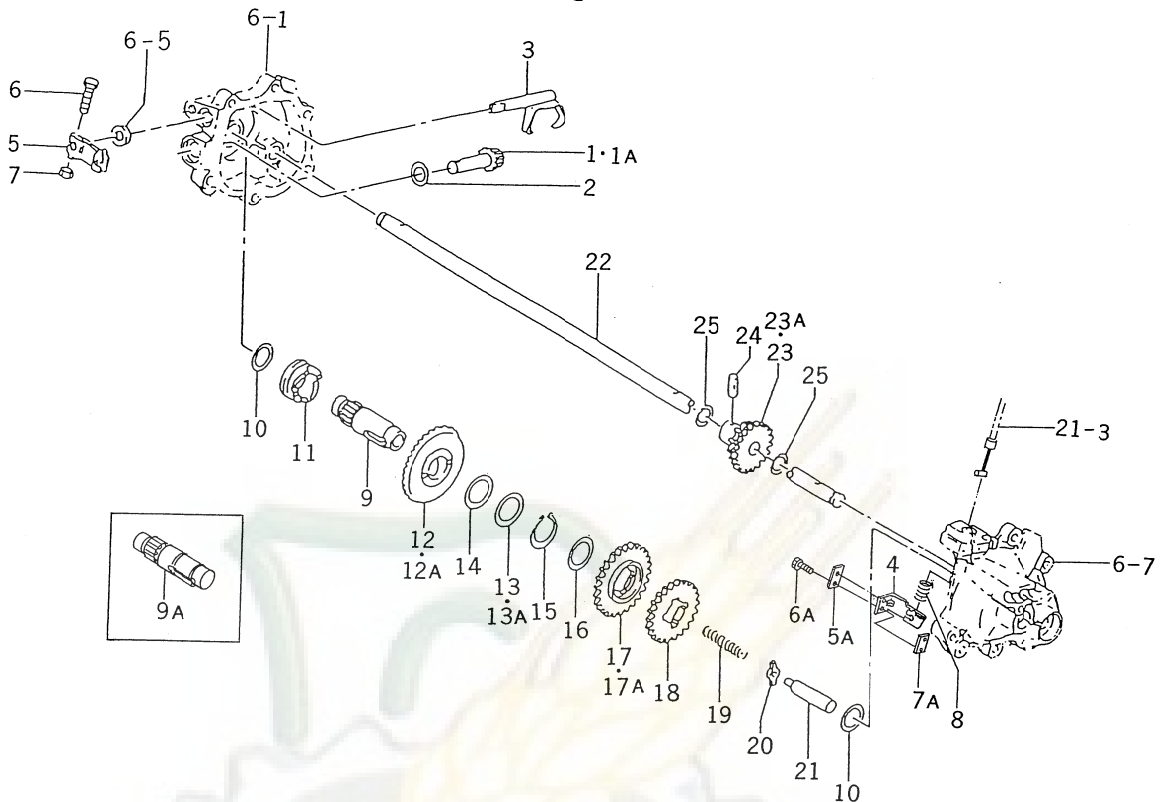
FIG. 6 CASE SYSTEM
Boitier



2500-360

KEY Réf.	PART CODE Pièces No.	DESCRIPTION	Désignation	QTY Quant.	TYPE OF MODEL			Modél	I T C	C O L	G R P	REMARKS Remarques
					BE01	E01						
1	2500-360-002-00	CASE, MISSION/RH	Ensemble boitier	1	1- -102704	1- -104712						
1A	2500-360-002-10	CASE, MISSION/RH	Ensemble boitier	1	102705-	104713-						
2	2500-360-004-10	BEARING, NEEDLL	Roulement	1	1- -102704	1- -104712						
2A	V653-410-172-00	BEARING, NEEDLL	Roulement	1	102705-	104713-						
3	2500-310-008-00	SEAL, OIL	Joint SPI	1	*	*						
4	V744-112-220-70	SEAL, OIL	Joint SPI	1	*	*						
5	2500-310-009-10	SEAL, OIL	Joint SPI	1	*	*						
6	V780-140-000-2B	BOLT, RAPPING, PT1/8	Vis	1	*	*						
7	2500-310-001-00	CASE, MISSION/LH	Boitier	1	1- -102704	1- -104712						
7A	2500-310-001-10	CASE, MISSION/LH	Boitier	1	102705-	104713-						
8	2500-310-009-10	SEAL, OIL	Joint SPI	3	*	*						
9	V744-112-220-70	SEAL, OIL	Joint SPI	1	*	*						
10	2500-310-003-00	GASKET	Joint	1	*	*						
11	2500-310-006-00	BOLT, TA00ING/06X25	Vis	5	*	*						
12	2500-310-005-10	PLATE	Plaque	1	*	*						
13	2500-310-012-00	BOLT, TAPPING/06X35	Vis	1	*	*						
14	2500-210-005-00	BOLT, TAPPING/06X16	Vis	2	*	*						
15	3768-172-008-00	CLAMP/7	Attache	1	*	*						
16	2500-310-200-00	SHIFTER	Fouchette complet	1	*	*						
17	2500-310-007-00	HOLDER	Support	1	*	*						
18	2500-210-005-00	BPLT, TAPPING/06X16	Vis	1	*	*						

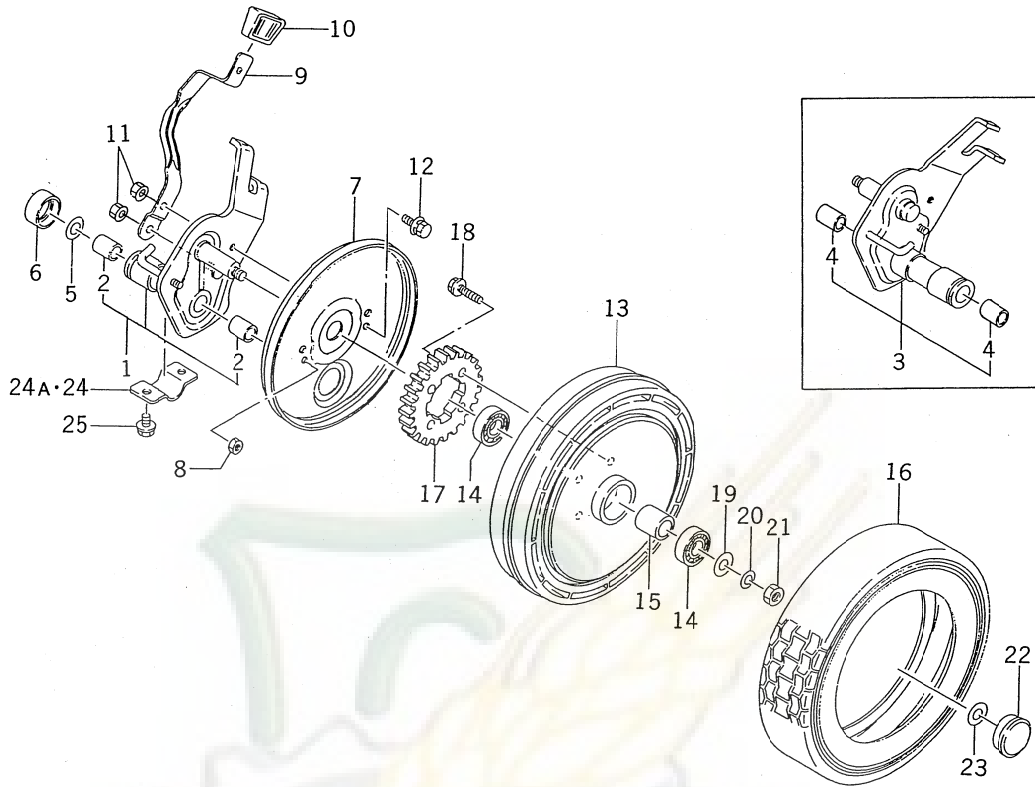
FIG. 7 GEAR SYSTEM Pignonnerie



2500-361

KEY Réf.	PART CODE Pièces No.	DESCRIPTION	Désignation	QTY Quant.	TYPE OF MODEL		Modél	I T C	C O L	G R P	REMARKS Remarques
					BE01	E01					
1	2500-311-001-00	GEAR, BEVEL/14	Pignon	1	1- -300150 300151-	1- -300150 300151-					
1A	2500-311-001-10	GEAR, BEVEL/14	Pignon	1	*	*					
2	2500-510-006-00	WASHER/11X20X01	Rondelle	1	*	*					
3	2500-311-200-00	SHIFTER	Fouchette complet	1	*	*					
4	2500-361-021-00	ARM, CLUTCH	Bras	1	*	*					
5	2500-311-021-00	ARM, CLUTCH	Bras	1	1- -300150 300151-	1- -300150 300151-					
5A	2500-361-023-00	PLATE, I/13X22	Plaque	1	*	*					
6	2500-311-022-00	BOLT/M05X20	Vis	1	1- -300150 300151-	1- -300150 300151-					
6A	V200-260-501-60	BOLT/M05X20	Vis	2	*	*					
7	V301-260-005-00	NUT/M5	Ecrou	1	1- -300150 300151-	1- -300150 300151-					
7A	2500-361-024-00	PLATE, I/13X22	Plaque	1	*	*					
8	2500-311-015-10	SPRING/HCO39	Ressort	1	*	*					
9	2500-311-005-10	SHAFT, INPUT	Arbre	1	1- -300000 300001-	1- -300000 300001-					
9A	2500-311-005-20	SHAFT, INPUT	Arbre	1	*	*					
10	2500-311-013-00	WASHER/17X24X01	Rondelle	2	*	*					
11	2500-311-003-00	CAM, DRIVE CLUTCH	Cames	1	*	*					
12	2500-311-002-00	GEAR, BEVEL/55	Pignon	1	1- -300000 300001-	1- -300000 300001-					
12A	2500-311-002-10	GEAR, BEVEL/55	Pignon	1	*	*					
13	2500-311-018-00	SHIM/0.5	Rondelle	1	1- -300000 300001-	1- -300000 300001-					
13A	2500-311-019-00	SHIM/0.3X20X30	Rondelle	1	*	*					
14	1365-224-002-00	WASHER	Rondelle	2	*	*					
15	V704-140-020-00	RING, SNAP/20	Circrrips	1	*	*					
16	1365-224-002-00	WASHER	Rondelle	1	*	*					
17	2500-361-006-10	GEAR, SPUR/31	Pignon	1	1- -102904 120905-	1- -104712 104713-					
17A	2500-361-006-20	GEAR, SPUR/31	Pignon	1	*	*					

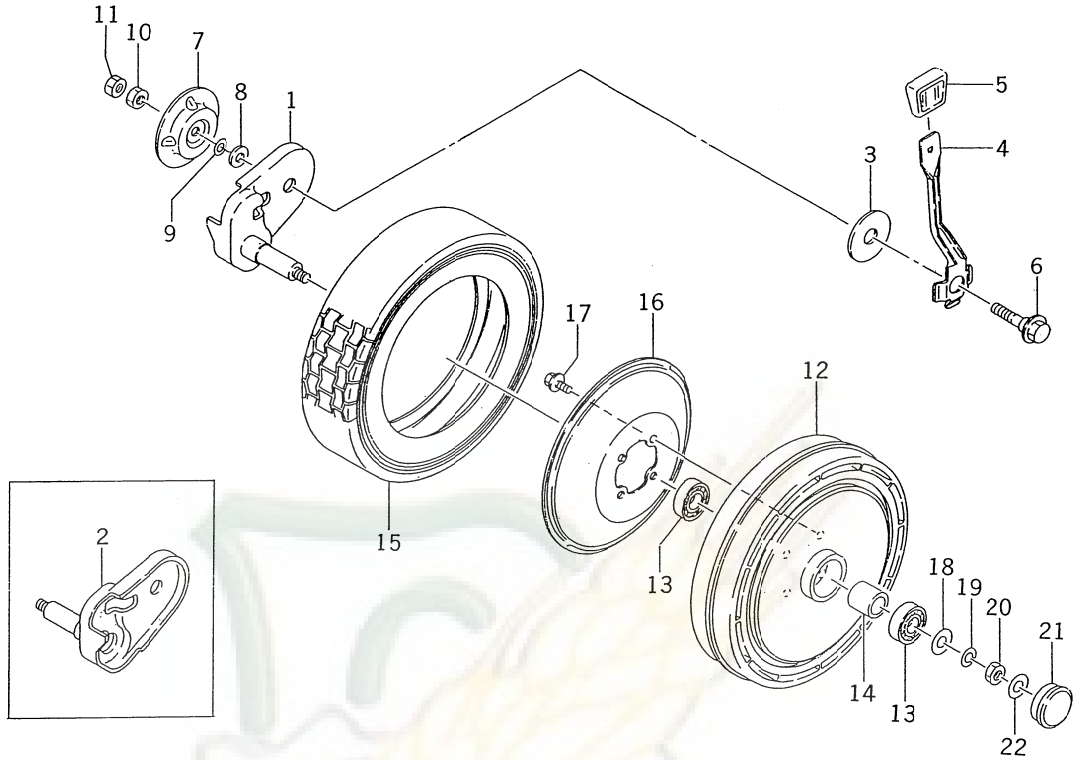
FIG. 8 WHEEL/REAR SYSTEM Roue arrière



2500-376

KEY Réf.	PART CODE Pièces No.	DESCRIPTION	Désignation	QTY Quant.	TYPE OF MODEL		Modél	I T C	C O L	G R P	REMARKS Remarques
					BE01	E01					
1	2500-376-230-00	BRACKET, R WHEEL	Support	1	*	*					
2	2500-376-008-20	BUSH/12X15X20	Douille	2	*	*					
3	2500-376-240-00	BRACKET, R WHEEL	Support	1	*	*					
4	2500-376-008-20	BUSH/12X15X20	Douille	2	*	*					
5	2500-311-012-00	WASHER/12X21X01	Rondelle	4	*	*					
6	2500-326-021-00	CAP	Capuchon	2	*	*					
7	2500-376-012-10	COVER, WHEEL	Couvercle	2	*	*					
8	2500-326-017-00	NUT, FLANGE/M06	Ecrou	2	*	*					
9	2500-376-013-20	LEVER, SPRING, REAR	Leiver	2	*	*					
10	2500-326-014-00	GRIP	Poignee	2	*	*					
11	2500-326-017-00	NUT, FLANGE/M06	Ecrou	4	*	*					
12	V210-360-601-60	BOLT, SP/M6X16	Vis	2	*	*					
13	2500-376-001-20	WHEEL	Ens. roue arriere	2	*	*					
14	V600-150-600-20	R. B. B	Roulement a billes	4	*	*					
15	2500-376-004-00	COLLAR/16X22X22	Douille	2	*	*					
16	2500-376-006-20	TIER/9X2.5	Pneu	2	*	*					
17	2500-326-002-00	GEAR, SPUR/42	Pignon	2	*	*					
18	2500-310-006-00	BOLT, TAPPING/06X25	Vis	8	*	*					
19	1373-121-001-00	WASHER/9X22X2	Rondelle	2	*	*					
20	V401-160-008-00	S. W	Rondelle	2	*	*					
21	V304-260-008-00	NUT/M8	Ecrou	2	*	*					
22	2706-301-020-00	CAP, WHEEL	Capuchon	2	*	*					
23	3747-342-002-00	WASHER	Rondelle	2	*	*					
24	2500-326-009-00	HOLDER, BRACKET,	Support	2	1- -102704 102705-	1- -104712 104713-					
24A	2500-326-009-10	HOLDER, BRACKET,	Support	2							

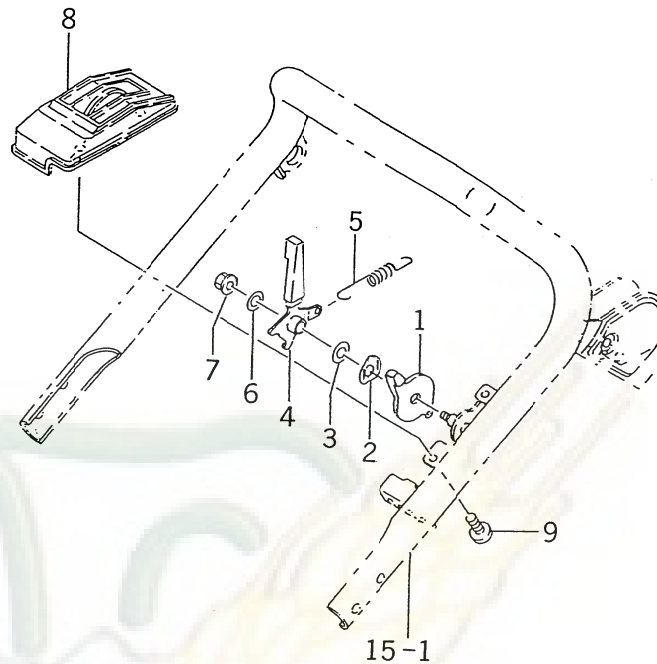
FIG. 9 WHEEL/FRONT SYSTEM Roue avant



2500-386

KEY Réf.	PART CODE Pièces No.	DESCRIPTION	Désignation	QTY Quant.	TYPE OF MODEL			Modél	I T C	C O L	G R P	REMARKS Remarques
					BE01	E01						
1	2500-386-200-30	BRACKET, F WHEEL	Support, roue AV. G.	1	*	*						
2	2500-386-210-30	BRACKET, F WHEEL	Support, roue AV. D.	1	*	*						
3	2500-386-007-10	WASHER/13X46X01	Rondelle	2	*	*						
4	2500-386-004-40	LEVER, SPRING, FRONT	Levier	2	*	*						
5	2500-326-014-00	GRIP	Poignee	2	*	*						
6	2500-386-002-30	BOLT/M08X45	Vis	2	*	*						
7	2500-386-005-10	PLATE, CAP	Plaque	2	*	*						
8	1105-712-004-00	WASHER/08X18X2	Rondelle	2	*	*						
9	1338-301-005-00	WASHER	Rondelle	2	*	*						
10	2500-386-001-00	NUT/M08	Ecrou	2	*	*						
11	V304-260-008-00	NUT/M8	Ecrou	2	*	*						
12	2500-376-001-20	WHEEL	Ens. roue avant	2	*	*						
13	V600-150-600-20	R. B. B	Roulement a dilles	4	*	*						
14	2500-376-004-00	COLLAR/16X22X22	Douille	2	*	*						
15	2500-376-006-20	TIAR/9X2.5	Pneu	2	*	*						
16	2500-386-012-10	COVER, WHEEL, FRONT	Couvercle	2	*	*						
17	2500-401-006-00	BOLT, TAPPING/06X12	Vis	8	*	*						
18	1373-121-001-00	WASHER/9X22X2	Rondelle	2	*	*						
19	V401-160-008-00	S. W	Rondelle	2	*	*						
20	V304-260-008-00	NUT/M8	Ecrou	2	*	*						
21	2706-301-020-00	CAP, WHEEL	Capuchon	2	*	*						
22	3747-342-002-00	WASHER	Rondelle	2	*	*						

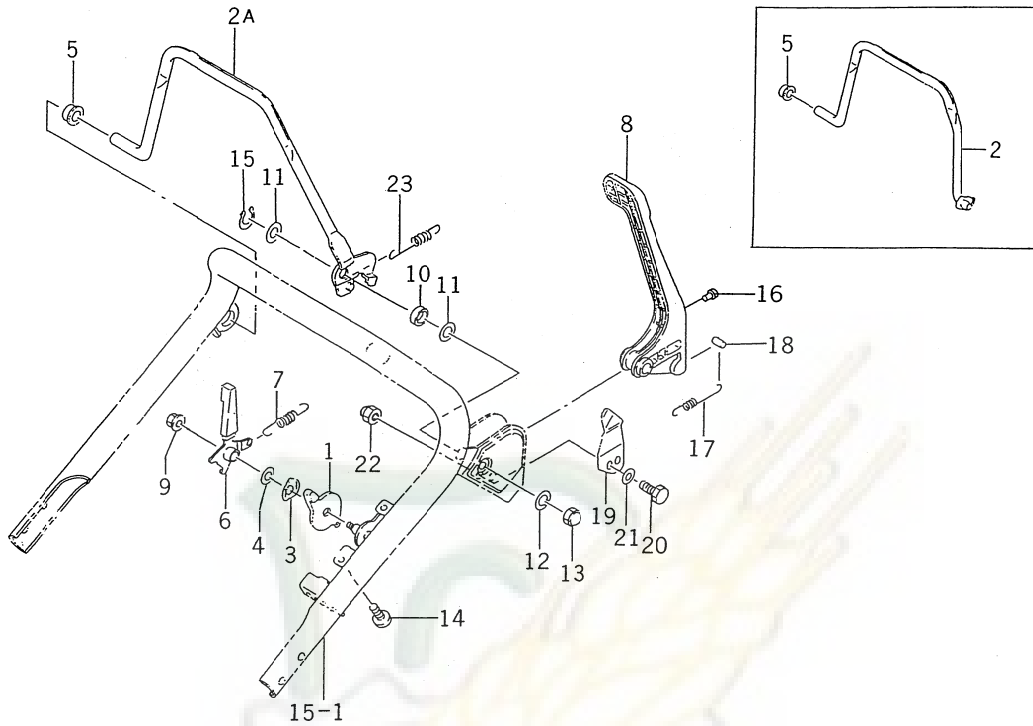
FIG. 13 CONTROL LEVER SYSTEM
Levier de contrôle



2503-510

KEY Réf.	PART CODE Pièces No.	DESCRIPTION	Designation	QTY Quant.	TYPE OF MODEL			Modél	I T C	C O L	G R P	REMARKS Remarques
					BE01	E01						
1	2500-510-011-00	LEVER, AXLE	Levier	1	*	*						
2	2500-510-005-00	SPRING, DISK/10	Ressort	1	*	*						
3	2500-510-006-00	WASHER/11X20X01	Rondelle	1	*	*						
4	2500-510-220-00	LEVER, CHANGE	Levier	1	*	*						
5	2500-510-051-10	SPRING/HE077	Ressort	1	*	*						
6	3740-162-005-00	WASHER	Rondelle	1	*	*						
7	2500-326-017-00	NUT, FLANGE/M06	Ecrou	1	*	*						
8	2500-510-001-10	COVER, CONTROL	Couvercle	1	*	*						
9	2500-510-002-00	SCREW, TAPPING/05X16	Vis	2	*	*						

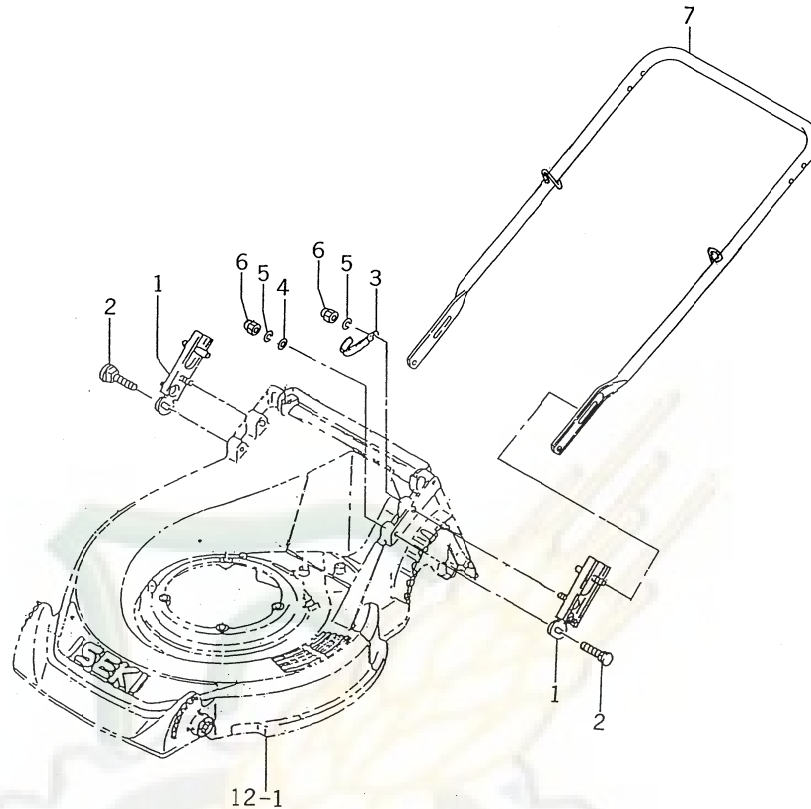
FIG. 14 LEVER SYSTEM (EXCEPT B TYPE)
Levier (excepté modèle B)



2500-515

KEY Réf.	PART CODE Pièces No.	DESCRIPTION	Désignation	QTY Quant.	TYPE OF MODEL			Modél	I T C	C O L	G R P	REMARKS Remarques
					BE01	E01						
1	2500-510-011-00	LEVER, AXLE	Levier	1	*							
2	2500-515-230-10	LEVER, PIPE/E	Levier	1	1- 300000							
2A	2500-560-230-20	LEVER	Levier	1	300001-							
3	2500-510-005-00	SPRING, DISK/10	Ressort	1	*							
4	2500-510-006-00	WASHER/11X20X01	Rondelle	1	*							
5	2500-510-013-00	BUSH/14X20X11	Douille	1	*							
6	2500-510-220-00	LEVER, CHANGE	Levier	1	*							
7	2500-510-051-10	SPRING/HE077	Ressort	1	*							
8	2500-510-240-10	LEVER, BBC	Levier	1	*							
9	2500-326-017-00	NUT, FLANGE/M06	Ecrou	1	*							
10	2503-510-004-20	COLLAR/15X20X08	Rondelle	1	*							
11	1427-601-003-00	WASHER/15X24X2	Rondelle	2	*							
12	V401-160-008-00	S. W	Rondelle	1	*							
13	V341-120-008-00	NUT/M8	Ecrou	1	*							
14	2500-510-002-00	SCREW, TAPPING/05X16	Vis	2	*							
15	V704-140-014-00	RING, SNAP/14	Circrips	1	*							
16	1527-604-002-00	CLIP, TRIM/8	Attache	1	*							
17	2500-515-001-00	SPRING/HE145	Ressort	1	*							
18	2500-210-008-00	PIN/08X14	Axe	1	*							
19	2500-501-002-10	PLATE, SPRING	Plaque	1	*							
20	V200-260-601-00	BOLT/M6X10	Vis	2	*							
21	V411-260-006-00	WASHER/M6	Rondelle	2	*							
22	V340-120-006-00	NUT, CAP/M6	Ecrou	2	*							
23	2500-510-051-10	SPRING/HE077	Ressort	1	*							

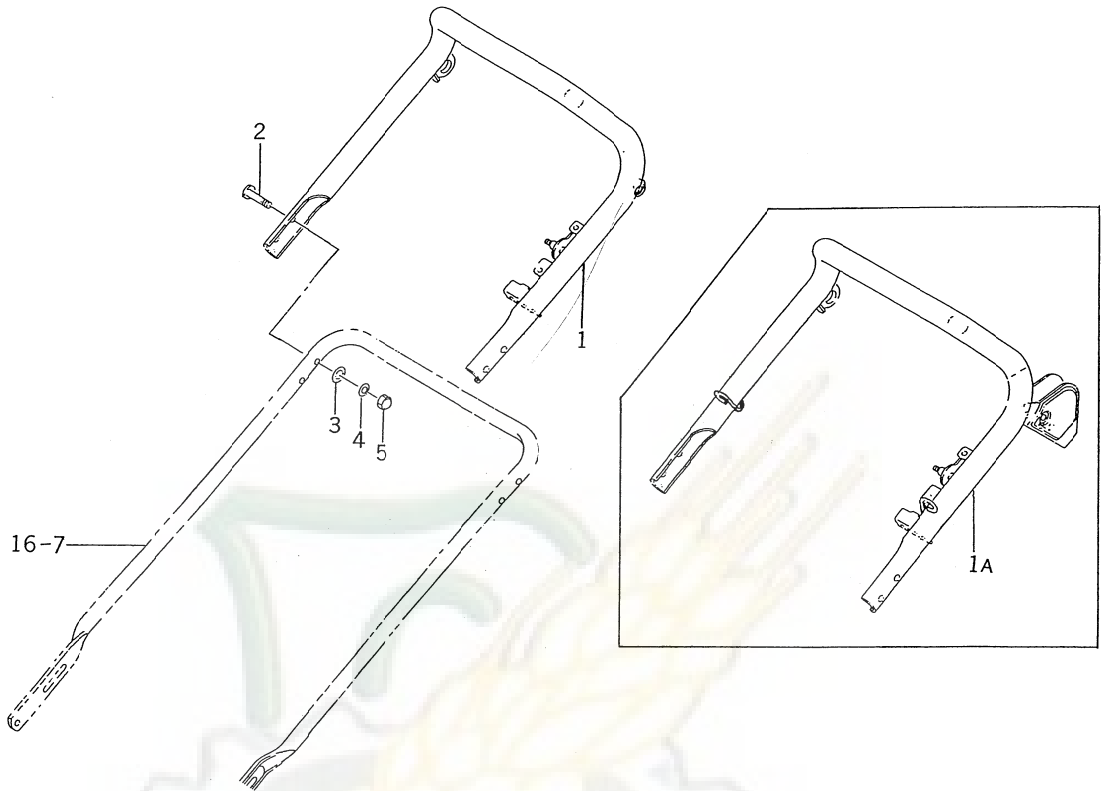
FIG. 17 HANDLE SYSTEM (EXCEPT B TYPE)
Mancheron (excepté modèle B)



2500-552A

KEY Réf.	PART CODE Pièces No.	DESCRIPTION	Désignation	QTY Quant.	TYPE OF MODEL			Modél	I T C	C O L	G R P	REMARKS Remarques
					BE01	E01						
1	2500-552-220-20	BRACKET, HANDLE	Suport	2	*							
2	2500-501-003-10	BOLT/M8X40	Vis	2	*							
3	1425-621-004-00	CLAMP, HARNESS	Attache	1	*							
4	V411-260-008-00	WASHER, PL/M8	Rondelle	7	*							
5	V401-160-008-00	S. W/M8	Rondelle	8	*							
6	V341-120-008-00	NUT/M8	Ecrou	8	*							
7	2500-502-250-00	HANDLE/A	Guidon	1	*							

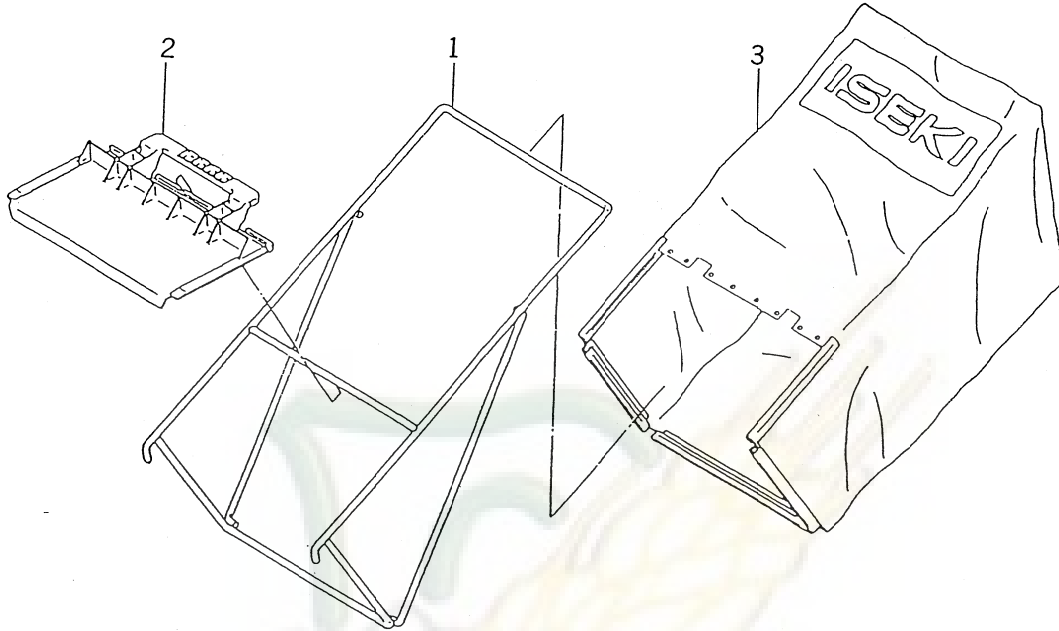
FIG. 19 HANDLE (B/E) SYSTEM (EXCEPT B TYPE)
Mancheron (B/E) (excepté modèles B)



2500-555

KEY Réf.	PART CODE Pièces No.	DESCRIPTION	Désignation	QTY Quant.	TYPE OF MODEL			I T C	C O L	G R P	REMARKS Remarques
					BE01	E01	Model				
1	2500-555-210-10	HANDLE, B/E	Guidon	1	1- -300000						
1A	2500-555-210-20	HANDLE, B/E	Guidon	1	300001-						
2	2500-551-019-00	PIN/M08X38	Axe	4	*						
3	V411-260-008-00	WASHER, PL/M8	Rondelle	4	*						
4	V401-160-008-00	S. W/M8	Rondelle	4	*						
5	V341-120-008-00	NUT, CAP/M8	Ecrou	4	*						

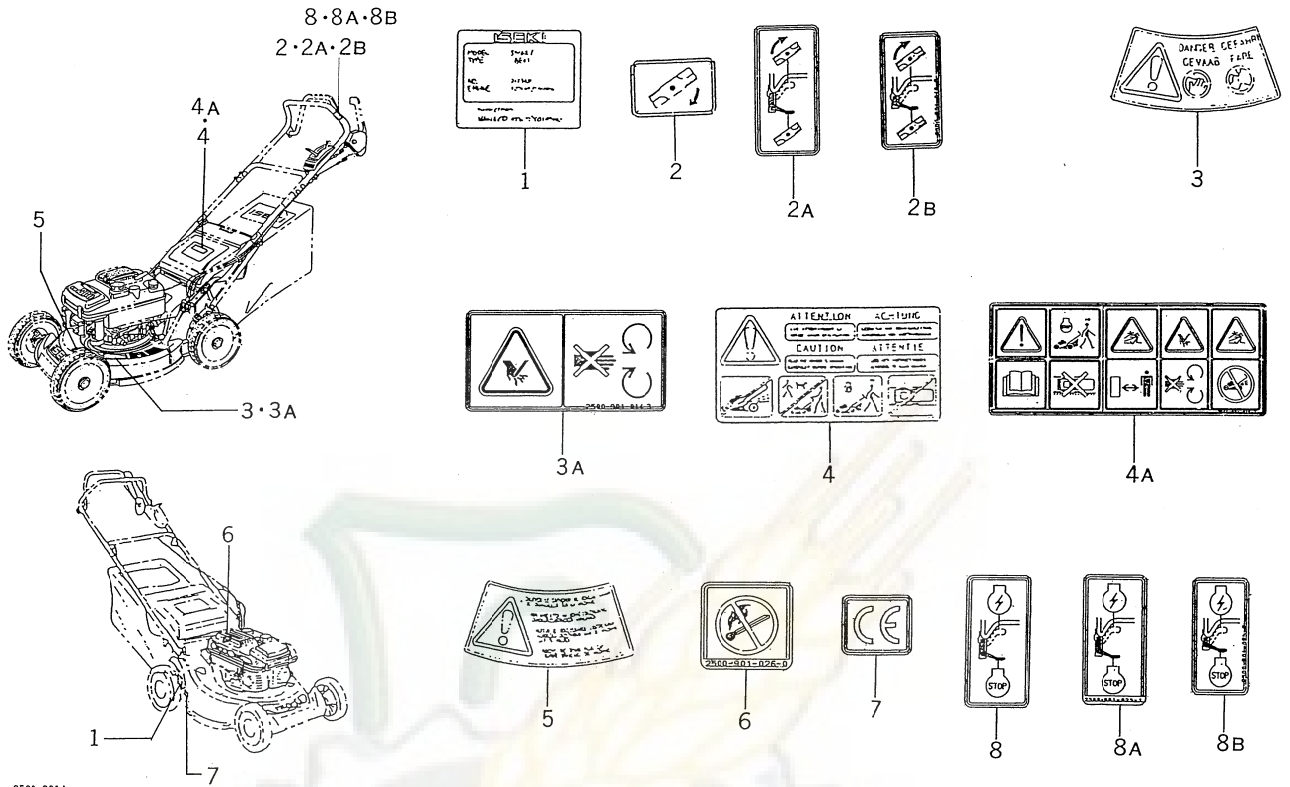
FIG. 22 COLLECTOR SYSTEM
Collecteur



2500-637

KEY Réf.	PART CODE Pièces No.	DESCRIPTION	Désignation	QTY Quant.	TYPE OF MODEL		Modél	I T C	C O L	G R P	REMARKS Remarques
					BE01	E01					
1	2500-607-200-00	FRAME, COLLECTOR	Longeron	1	*	*					
2	2500-607-001-00	COVER, COLLECTOR	Couvercle	1	*	*					
3	2500-607-300-00	CLOTH, COLLECTOR	Etoffe	1	*	*					

FIG. 23 MARK • LABEL SYSTEM Etiquettes



2500-901A

KEY Réf.	PART CODE Pièces No.	DESCRIPTION	Désignation	QTY Quant.	TYPE OF MODEL		Modél	I T C	C O L	G R P	REMARKS Remarques
					BE01	E01					
1	J910-000-200-00	LABEL, MODEL	Étiquette	1	*	*					
2	2500-901-018-00	LABEL/BBC	Étiquette	1		1- -300000					
2A	2500-901-018-10	LABEL/BBC	Étiquette	1		300001- -300390					
2B	2500-901-018-30	LABEL/BBC	Étiquette	1		300391-					
3	2500-901-014-20	LABEL, DANBER	Étiquette	2	*	1- -300000					
3A	2500-901-014-30	LABEL, DANGER	Étiquette	2	*	300001-					
4	2500-901-015-20	LABEL, CAUTION	Étiquette	1	*	1- -300000					
4A	2500-901-015-30	LABEL, CAUTION	Étiquette	1	*	300001-					
5	2500-901-016-20	LABEL, PLUG	Étiquette	1	*	*					
6	2500-901-026-00	LABEL, FIRE	Étiquette	1	*	*					
7	2500-901-027-00	LABEL/CE	Étiquette	1	*	*					
8	2500-901-025-00	LABEL, START	Étiquette	1		1- -300000					
8A	2500-901-025-10	LABEL, START	Étiquette	1		300001- -300390					
8B	2500-901-025-20	LABEL, START	Étiquette	1		300391-					

