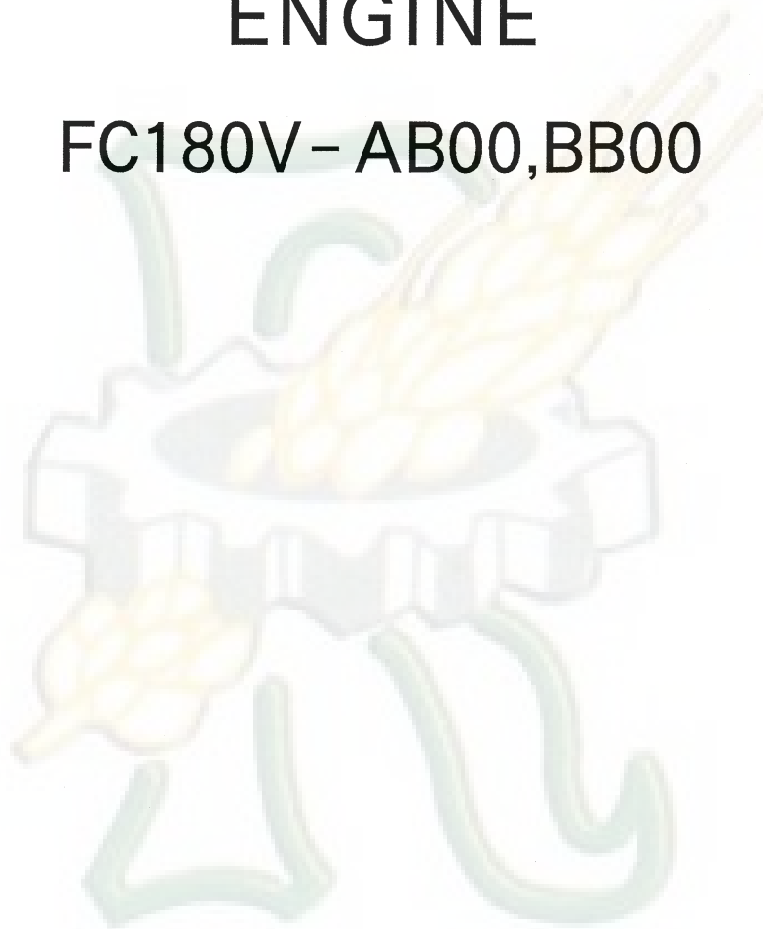


ENGINE

FC180V - AB00, BB00



ENGINE

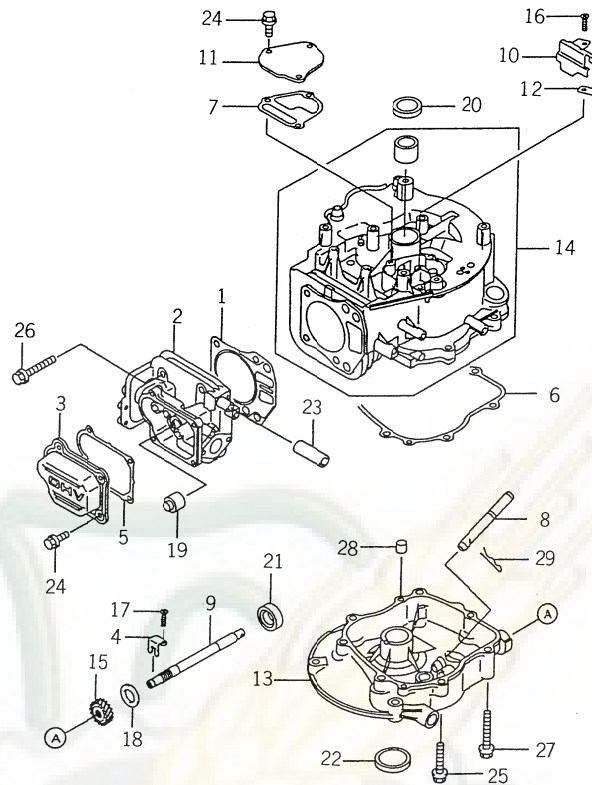
C O N T E N T S

ENGINE (FC180V – AB00,BB00)

Moteur

CYLINDER/CRANKCASE	Fig. 1
Cylindre/Carter	
PISTON/CRANKSHAFT	Fig. 2
Piston/Vilebrequin	
VALVE/CRANKSHAFT	Fig. 3
Soupape/Arbre à cames	
LUBRICATION – EQUIPMENT	Fig. 4
Lubrification	
COOLING – EQUIPMENT	Fig. 5
Refroidissement	
ELECTRIC – EQUIPMENT	Fig. 6
Électricité	
CONTROL – EQUIPMENT	Fig. 7
Commandes	
CARBURETOR	Fig. 8
Carburateur	
AIR – FILTER/MUFFLER	Fig. 9
Filtre à air/Echappement	
FUEL – TANK/FUEL – VALVE	Fig. 10
Resservoir/Robinet à carburant	
STARTER	Fig. 11
Démarrreur	
BRAKE/COVER	Fig. 12
Frein de couvercle	
LABEL	Fig. 13
Étiquette	
ACCESSORY	Fig. 14
Accessoire	

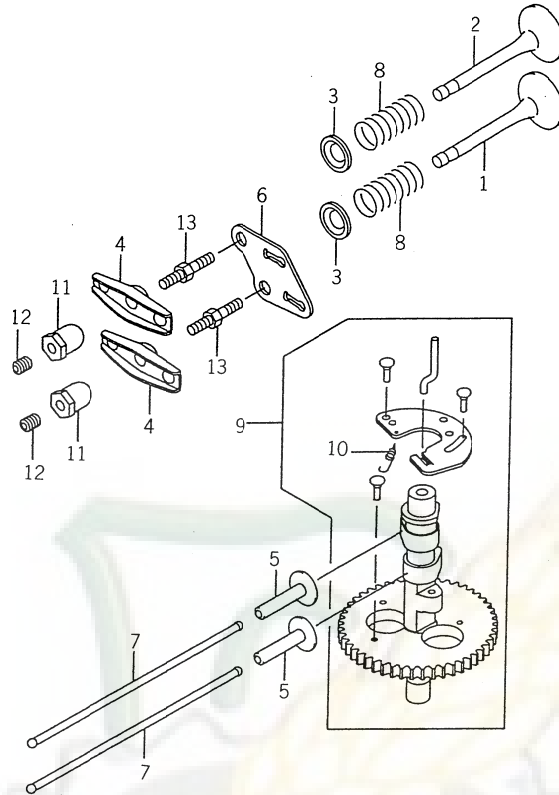
FIG. 1 CYLINDER/CRANKCASE Cylindre/Carter



K621-0010

KEY Réf.	PART CODE Pièces No.	DESCRIPTION	Désignation	QTY Quant.	TYPE OF MODEL		Modél	I T C	C O L	G R P	REMARKS Remarques
					FC180V AB00	FC180V BB00					
1	5110-042-117-XX	GASKET-HEAD	Joint de cylindre	1	*	*					110042117
2	5110-082-117-XX	HEAD-COMP-CYLINDER	Culasse	1	*	*					110082117
3	5110-222-067-XX	CASE-ROCKER	Boitier	1	*	*					110222067
4	5110-492-019-XX	BRACKET	Support	1	*	*					110492019
5	5110-602-139-XX	GASKET-ROCKER CASE	Joint	1	*	*					110602139
6	5110-602-142-XX	GASKET-CRANKCASE	Joint	1	*	*					110602142
7	5110-602-143-XX	GASKET	Joint	1	*	*					110602143
8	5131-072-255-XX	SHAFT	Arbre	1	*	*					131072255
9	5131-072-272-XX	SHAFT	Arbre	1	*	*					131072272
10	5131-832-504-XX	PLATE	Praque	1	*	*					131832504
11	5140-902-032-XX	COVER	Capot	1	*	*					140902032
12	5161-262-146-XX	VALVE	Soupape	1	*	*					161262146
13	5490-152-338-XX	COVER-CRANKCASE	Carter	1	*	*					490152338
14	5491-206-112-XX	CRANKCASE-COMP	Carter	1	*	*					491206112
15	5590-562-790-XX	GEAR-HERICAL	Pignon	1	*	*					590562790
16	5920-092-166-XX	SCREW-5X8	Vis	1	*	*					920092166
17	5920-092-308-XX	SCREW	Vis	1	*	*					920092308
18	5920-222-69X-XX	WASHER	Rondelle	1	*	*					92022269
19	5920-491-062-XX	SEAL-OIL	Joint SPI	1	*	*					920491062
20	5920-492-199-XX	SEAL-OIL	Joint SPI	1	*	*					920492199
21	5920-492-204-XX	SEAL-OIL	Joint SPI	1	*	*					920492204
22	5920-492-210-XX	SEAL-OIL	Joint SPI	1	*	*					920492210
23	5921-902-112-XX	TUBE-12X16X46	Tuyau	1	*	*					921902112
24	5130-B06-12X-XX	BOLT-FLANGED	Vis	7	*	*					130B0612
25	5130-G08-35X-XX	BOLT-FLANGED	Vis	4	*	*					130G0835

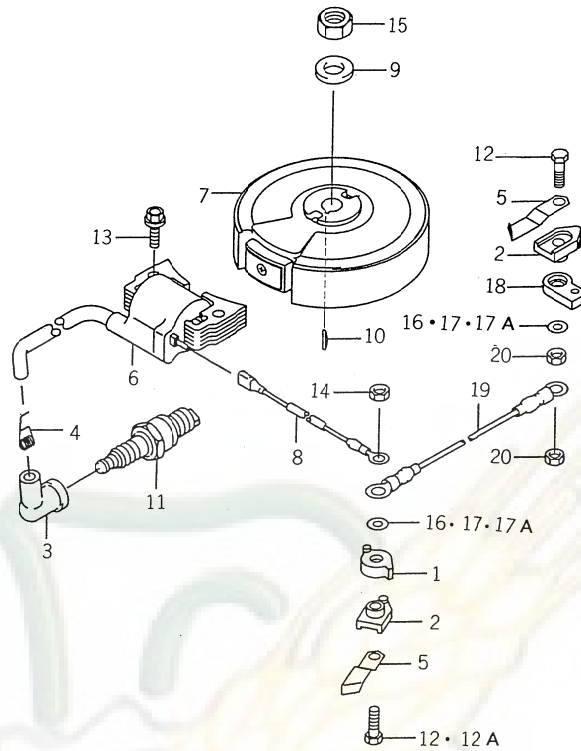
FIG. 3 VALVE/CAMSHAFT
Soupape/Arbre à cames



K621-0030

KEY Réf.	PART CODE Pièces No.	DESCRIPTION	Désignation	QTY Quant.	TYPE OF MODEL		Modél	I T C	C O L	G R P	REMARKS Remarques
					FC180V A800	FC180V B800					
1	5120-042-101-XX	VALVE-INTAKE	Soupape d'admission	1	*	*					120042101
2	5120-052-089-XX	VALVE-EXHAUST	Soupape d'echappement	1	*	*					120052089
3	5120-092-062-XX	RETAINER-VALVE	Coupelle	2	*	*					120092062
4	5120-162-057-XX	ARM-ROCKER	Culbuteur	2	*	*					120162057
5	5120-322-065-XX	TAPPET	Poussoir	2	*	*					120322065
6	5130-702-091-XX	GUIDE	Guide	1	*	*					130702091
7	5131-162-065-XX	ROD-PUSH	Tige-poussoir	2	*	*					131162065
8	5490-782-064-XX	SPRING-ENGINEVALVE	Ressort	2	*	*					490782064
9	5491-182-126-XX	CAMSHAFT-COMP	Arbre a cames	1	*	*					491182126
10	5921-442-315-XX	SPRING	Ressort	1	*	*					921442315
11	5920-152-253-XX	NUT	Erou	2	*	*					920152253
12	5920-092-341-XX	SCREW	Vis	2	*	*					920092341
13	5921-502-248-XX	BOLT	Vis	2	*	*					921502248

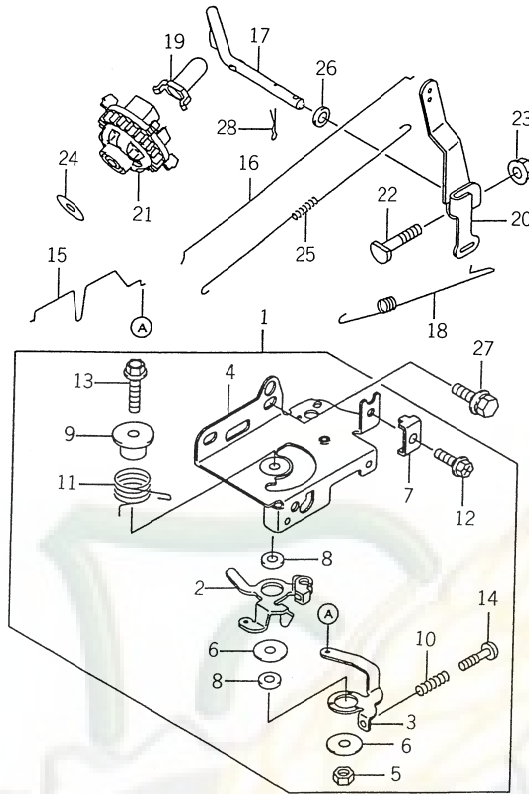
FIG. 6 ELECTRIC – EQUIPMENT Électricité



K621-0060

KEY Réf.	PART CODE Pièces No.	DESCRIPTION	Désignation	QTY Quant.	TYPE OF MODEL		Modél	I T C	C O L	G R P	REMARKS Remarques
					FC180V AB00	FC180V BB00					
1	5140-242-183-XX	COVER	Capot	1	*	*					140242183
2	5160-732-165-XX	INSULATOR	Ecran thermique	2	*	*					160732165
3	5211-302-066-XX	CAP-SPARK PLUG	Capuchon	1	*	*					211302066
4	5211-692-004-XX	TERMINAL	Borne	1	*	*					211692004
5	5211-692-066-XX	TERMINAL	Borne	2	*	*					211692066
6	5211-712-200-XX	COIL-ASSY-IGNITION	Ens. bobine d'allumage	1	*	*					211712200
7	5211-942-292-XX	FLYWHEEL-COMP	Ens. volant	1	*	*					211942292
8	5260-112-306-XX	WIRE-LEAD	Fil	1	*	*					260112306
9	5920-222-102-XX	WASHER	Rondelle	1	*	*					920222102
10	5920-382-077-XX	KEY	Clavette	1	*	*					920382077
11	5920-701-167-XX	PLUG-SPARK-BP5ES	Bougie	1	*	*					920701167
12	5921-502-300-XX	BOLT-4X20	Vis	1	*	1- -017986 017987-					921502300
12A	5112-B05-22X-XX	BOLT-UPSET	Vis	1	*	*					112B0522
13	5130-G06-25X-XX	BOLT-FLANGED	Vis	2	*	*					130G0625
14	5311-B04-00X-XX	NUT-HEX	Ecrou	1	*	*					311B0400
15	5314-G14-00X-XX	NUT-HEX-FINE	Ecrou	1	*	*					314G1400
16	5410-B04-00X-XX	W-PLAIN-S	Rondelle	1	*	*					410B0400
17	5410-B05-00X-XX	W-PLAIN-S	Rondelle	1	*	1- -017986 017987-					410B0500
17A	5411-B04-00X-XX	WASHER-PLAIN	Rondelle	1	*	*					411B0400
18	5160-732-123-XX	INSULATOR	Ecran thermique	1	*	*					160732123
19	5260-112-323-XX	WIRE-LEAD	Fil	1	*	*					260112323
20	5311-B05-00X-XX	NUT-HEX	Ecrou	2	*	*					311B0500

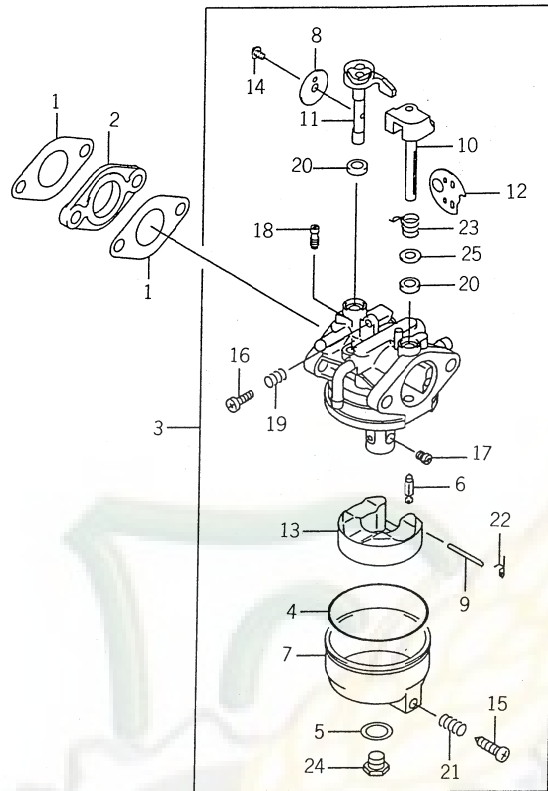
FIG. 7 CONTROL – EQUIPMENT Commandes



K621-0070

KEY Réf.	PART CODE Pièces No.	DESCRIPTION	Désignation	QTY Quant.	TYPE OF MODEL Modél			I T C	C O L	G R P	REMARKS Remarques
					FC180V AB00	FC180V BB00					
1	5391-802-895-XX	PANEL-ASSY-CONTROL	Ens. panneau de commande	1	*	*					391802895
2	5131-682-352-XX	LEVER	Levier	1	*	*					131682352
3	5131-682-388-XX	LEVER	Levier	1	*	*					131682388
4	5592-262-291-XX	PANEL-CONTROL	Panneau de commande	1	*	*					592262291
5	5920-152-051-XX	NUT	Ecrou	1	*	*					920152051
6	5920-222-372-XX	WASHER-6X19X1.2	Rondelle	2	*	*					920222372
7	5920-372-209-XX	CLAMP	Attache	1	*	*					920372209
8	5921-432-135-XX	COLLAR-6X13X2.3	Entretoise	2	*	*					921432135
9	5921-432-148-XX	COLLAR	Entretoise	1	*	*					921432148
10	5921-442-266-XX	SPRING	Ressort	1	*	*					921442266
11	5921-442-316-XX	SPRING	Ressort	1	*	*					921442316
12	5921-502-182-XX	BOLT-5X18	Vis	1	*	*					921502182
13	5130-B06-30X-XX	BOLT-FLANGED	Vis	1	*	*					130B0630
14	5214-B04-20X-XX	SCREW-PAN	Vis	1	*	*					214B0420
15	5161-692-111-XX	LINK-CHOKE	Tige	1	*	*					161692111
16	5161-712-068-XX	LINK	Tige	1	*	*					161712068
17	5390-032-077-XX	ARM-PIVOT	Bras	1	*	*					390032077
18	5391-292-054-XX	SPRING-GOVERNOR	Ressort de regulateur	1	*	*					391292054
19	5420-362-051-XX	SLEEVE	Bague	1	*	*					420362051
20	5491-032-127-XX	ARM-GOVERNOR	Bras de regulateur	1	*	*					491032127
21	5491-102-080-XX	GOVERNOR-ASSY	Ens. regulateur	1	*	*					491102080
22	5920-022-269-XX	BOLT	Vis	1	*	*					920022269
23	5920-151-193-XX	NUT	Ecrou	1	*	*					920151193
24	5920-222-019-XX	WASHER	Rondelle	1	*	*					920222019
25	5921-442-329-XX	SPRING	Ressort	1	*	*					921442329

FIG. 8 CARBURETOR Carburateur



K621-0080

KEY Réf.	PART CODE Pièces No.	DESCRIPTION	Désignation	QTY Quant.	TYPE OF MODEL		Modél	I T C	C O L	G R P	REMARKS Remarques
					FC180V AB00	FC180V BB00					
1	5110-602-144-XX	GASKET-CARBURETOR	Joint	2	*	*					110602144
2	5160-732-164-XX	INSULATOR	Ecran thermique	1	*	*					160732164
3	5150-032-351-XX	CARBURETOR-ASSY	Ens. carburateur	1	*	*					150032351
4	5110-602-190-XX	GASKET	Joint	1	*	*					110602190
5	5110-602-191-XX	GASKET	Joint	1	*	*					110602191
6	5160-092-136-XX	NEEDLE-JET	Pointeau de buse	1	*	*					160092136
7	5160-202-129-XX	CHAMBER-FLOAT	Chambre du flotteur	1	*	*					160202129
8	5160-252-166-XX	VALVE-THROTTLE	Boisseau	1	*	*					160252166
9	5160-412-224-XX	SHAFT-CARBURETOR	Axe papillon	1	*	*					160412224
10	5160-412-231-XX	SHAFT-CARBURETOR	Axe volet d'air	1	*	*					160412231
11	5160-412-244-XX	SHAFT-CARBURETOR	Axe volet d'air	1	*	*					160412244
12	5161-262-191-XX	VALVE-CHOKE	Volet d'air	1	*	*					161262191
13	5161-832-002-XX	FLOAT-ASSY	Flotteur	1	*	*					161832002
14	5230-132-058-XX	SCREW-ASSY	Vis	1	*	*					230132058
15	5920-092-348-XX	SCREW	Vis	1	*	*					920092348
16	5920-092-349-XX	SCREW	Vis	1	*	*					920092349
17	5920-632-242-XX	JET-MAIN 92	Gicleur principal	1	*	*					920632242
18	5920-642-094-XX	JET-PILOT 44	Vis de mélange	1	*	*					920642094
19	5920-812-234-XX	SPRING	Ressort	1	*	*					920812234
20	5920-932-100-XX	SEAL	Joint	2	*	*					920932100
21	5921-442-333-XX	SPRING	Ressort	1	*	*					921442333
22	5921-442-335-XX	SPRING	Ressort	1	*	*					921442335
23	5921-442-364-XX	SPRING	Ressort	1	*	*					921442364
24	5921-502-263-XX	BOLT	Vis	1	*	*					921502263
25	5922-002-061-XX	WASHER-9. 8X5. 5X1. 0	Rondelle	1	*	*					922002061

