



AGRIA HISPANIA, S.A.

MOTOCULTOR • TWO-WHEEL TRACTOR • MOTOCULTEUR

Serie GLOBAL



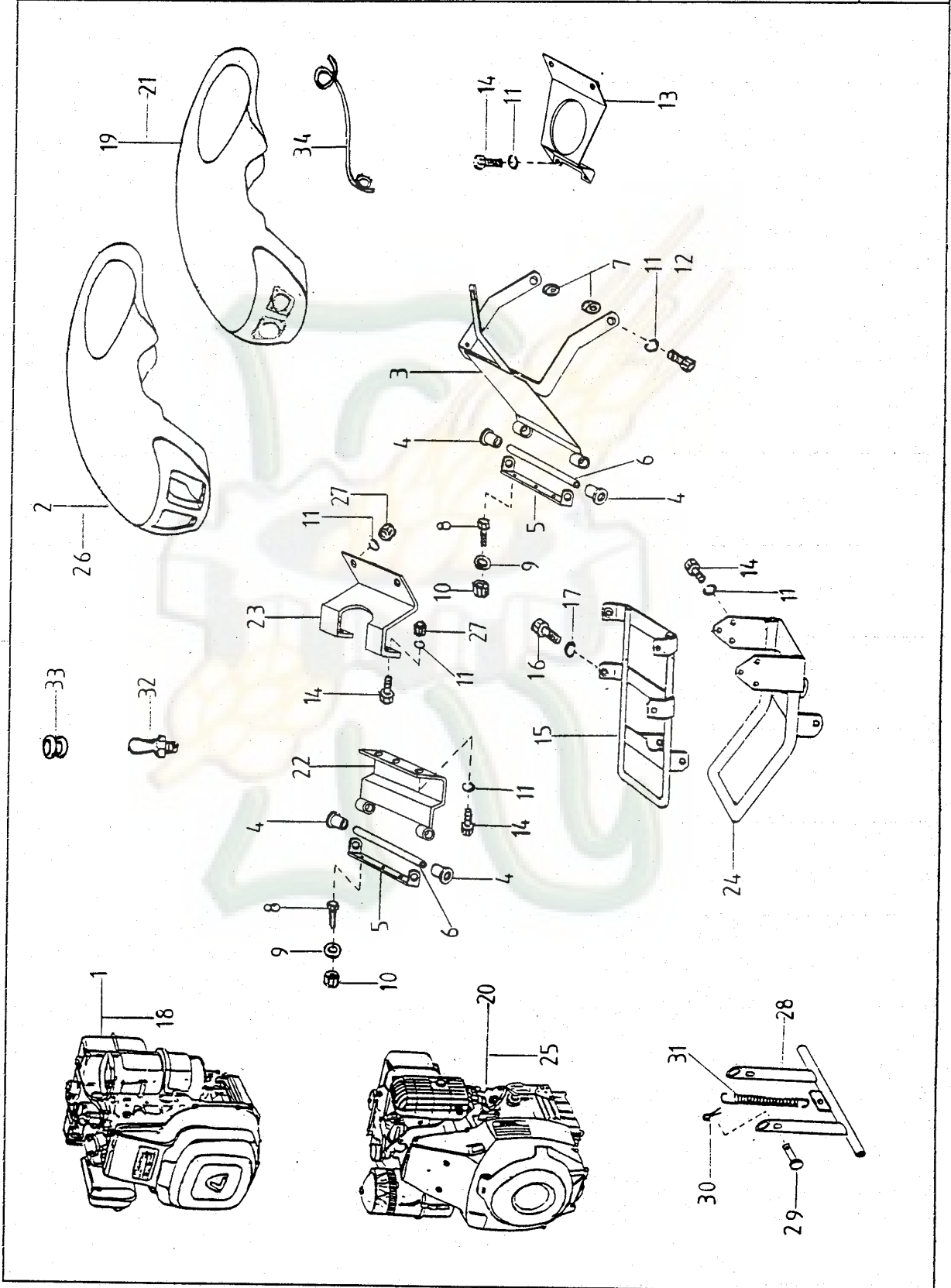
CATALOGO DE PIEZAS DE RECAMBIO
SPARE PARTS CATALOGUE
CATALOGUE DE PIECES DETACHEES




Dibujo N
Design N 1
Dessin N

MOTOR, CAPERUZA Y SOPORTES 7713-L
ENGINE, HOOD AND SUPPORT 7713
MOTEUR, CAPOT ET SUPPORT

Pag.
1



 Dibujo N 1 Design N Dessin N		MOTOR, CAPERUZA Y SOPORTES ENGINE, HOOD AND SUPPORT 7713-L MOTEUR, CAPOT ET SUPPORT			Pag. 2
Pos. Pos. Pos.	Ref. Ref. Ref.	Denominación Description Designation	Can. Qua. Qua.	Observaciones Remarks Observations	
1	809273	Motor Engine 6LD435 AE+AR Moteur	1		
2	809066	Caperuza Hood Capot	1		
2a	811670	Caperuza para faros Hood Capot	1	Desde maqu. From mach. De la mach.	
3	809013	Soporte delantero Front support Support avant	1		
4	806387	Casquillo nylon Nylon bush Bague nylon	2		
5	809249	Soporte frontal Frontal support Support frontal	1		
6	806614	Eje de giro Hinge pin Axe de pivotament	1		
7	802283	Casquillo separador Bush Bague	2		
8	001260	Tornillo hexagonal Screw M-6 x 20 Vis	3		
9	007801	Arandela plana Washer B-6 Rondelle	3		
10	801229	Tuerca autoblocante Nut M-6 Ecrou	3		
11	012960	Arandela grower Grower washer A-8 Rondelle grower	22		
12	001510	Tornillo hexagonal Screw M-8 x 30 Vis	2		

 Dibujo N 1 Design N 1 Dessin N 1		MOTOR, CAPERUZA Y SOPORTES ENGINE, HOOD AND SUPPORT 7713-L MOTEUR, CAPOT ET SUPPORT			Pag. 3
Pos. Pos. Pos.	Ref. Ref. Ref.	Denominación Description Designation	Can. Qua. Qua.	Observaciones Remarks Observations	
13	809014	Soporte de caperuza Hood support Support du capot	1		
14	001090	Tornillo hexagonal Screw M-8 x 20 Vis	22		
15	809039	Defensa de motor Engine runner Patín du moteur	1		
16	001270	Tornillo hexagonal Screw M-10 x 30 Vis	4		
17	012970	Arandela grower Grower washer A-10 Rondelle grower	4		
18	809274	Motor Engine 6LD435 AR Moteur	1		
19	809067	Caperuza completa Hood Capot	1		
19a	811580	Caperuza completa (GLOBAL) Hood Capot	1	Desde maqu. From mach. De la mach.	

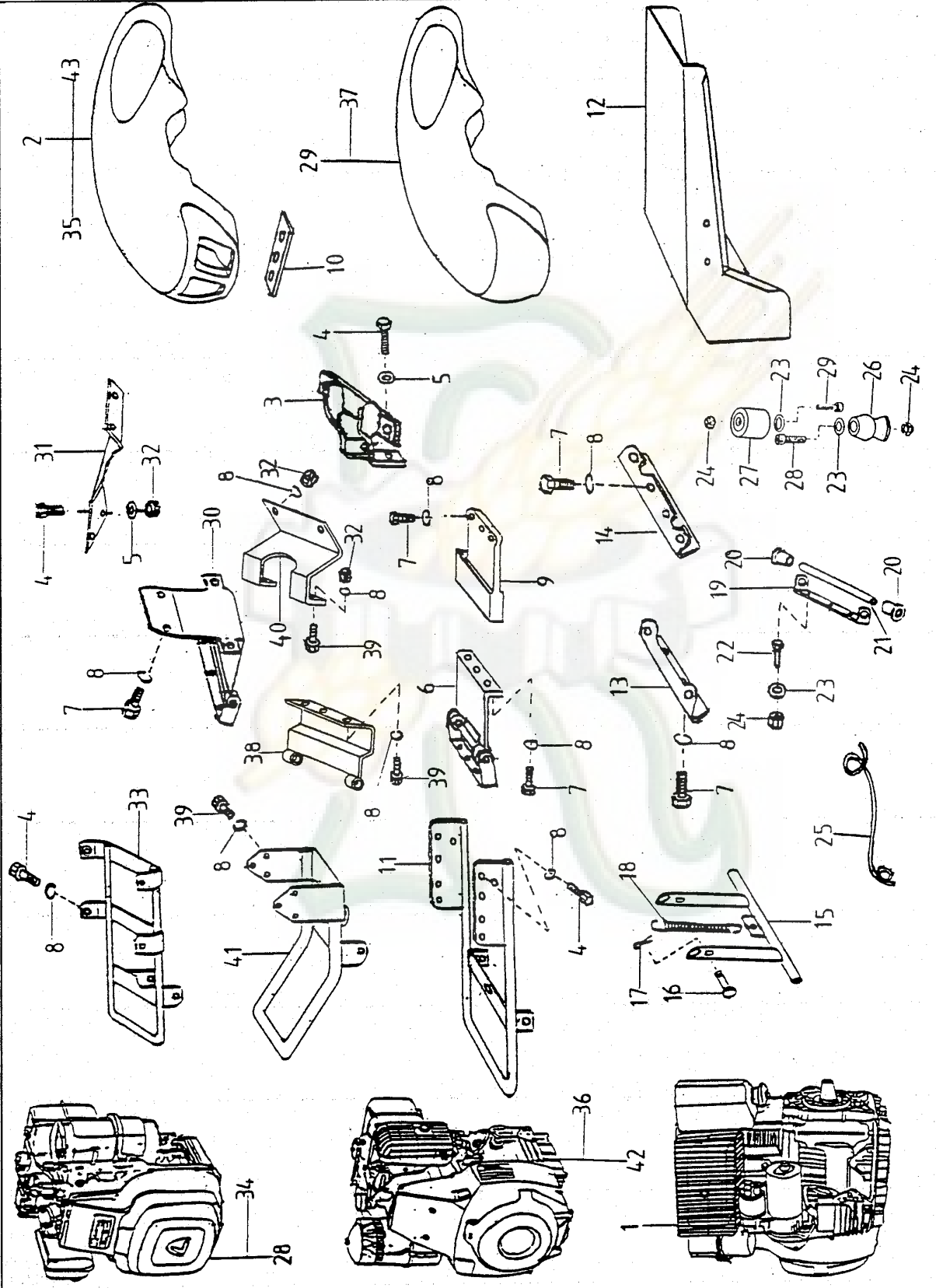
 Dibujo N 1 Design N Dessin N		MOTOR, CAPERUZA Y SOPORTES ENGINE, HOOD AND SUPPORT 7713 MOTEUR, CAPOT ET SUPPORT			Pag. 4
Pos. Pos. Pos.	Ref. Ref. Ref.	Denominación Description Designation	Can. Qua. Qua.	Observaciones Remarks Observations	
20	804881	Motor Engine M-490 Moteur	1		
21	809051	Caperuza completa Hood Capot	1		
22	808921	Soporte delantero Front support Support avant	1		
23	808922	Soporte de caperuza Hood support Support du capot	1		
24	807473	Defensa de motor Engine runner Patin du moteur	1		
25	804882	Motor Engine M-490 AE Moteur	1		
26	809065	Caperuza completa Hood Capot	1		
27	005951	Tuerca hexagonal Nut M-8 Ecrou	12		
28	805875	Pata de apoyo Support Support	1		
29	172290	Bulón Bolt Boulon	2		
30	014600	Pasador de horquilla Split pin 3 x 20 Goupille fendue	2		
31	794100	Muelle de bloqueo Spring Ressort	1		
32	806617	Pitón de fijación Fastening spout Pivot du fixage	2		




Dibujo N
Design N 2
Dessin N

MOTOR, CAPERUZA Y SOPORTES 7714-C
ENGINE, HOOD AND SUPPORT 7714
MOTEUR, CAPOT ET SUPPORT 7714-B

Pag.
6



 Dibujo N Design N Dessin N		MOTOR, CAPERUZA Y SOPORTES ENGINE, HOOD AND SUPPORT 7714-C MOTEUR, CAPOT ET SUPPORT			Pag. 7
Pos. Pos. Pos.	Ref. Ref. Ref.	Denominación Description Designation	Can. Qua. Qua.	Observaciones Remarks Observations	
1	805914	Motor Engine RUG M-150 AE Moteur	1		
2	808270	Caperuza completa Hood Capot	1		
3	808273	Soporte de caperuza Hood support Support capot	1		
4	001100	Tornillo hexagonal Screw M-8 x 25 Vis	8		
5	007820	Arandela plana Washer 8'4 Rondelle	4		
6	808264	Soporte frontal Frontal support Support frontal	1		
7	002170	Tornillo allen Screw M-8 x 20 Vis	6		
8	012960	Arandela grower Washer A-8 Rondelle	12		
9	808110	Soporte de caperuza Hood support Support capot	1		
10	809011	Pletina refuerzo Reinforcement plate Tôle de renfort	1		
11	805870	Defensa de motor Engine guard Défense du moteur	1		
12	805777	Caperuza completa Hood Capot	1		
13	805774	Soporte delantero de caperuza Hood support front Support du capot clavat	1		



Dibujo N
Design N
Dessin N

2

**MOTOR, CAPERUZA Y SOPORTES
ENGINE, HOOD AND SUPPORT 7714-C
MOTEUR, CAPOT ET SUPPORT**


Pag.

8

Pos. Pos. Pos.	Ref. Ref. Ref.	Denominación Description Designation	Can. Qua. Qua.	Observaciones Remarks Observations
14	805773	Soporte trasero de caperuza Hood support back Support du capot arriere	1	
15	805875	Pata de apoyo Support Support	1	
16	172290	Bulón Bolt Boulon	2	
17	014600	Pasador de horquilla Split pin 3 x 20 Goupille fendue	2	
18	794100	Muelle de bloqueo Spring Ressort	1	
19	809249	Soporte frontal Frontal support Support frontal	1	
20	806387	Casquillo nylon Nylon bush Bague nylon	2	
21	806614	Eje de giro Hinge pin Axe de pivotament	1	
22	001120	Tornillo hexagonal Screw M-6 x 15 Vis	3	
23	007801	Arandela plana Washer B-6 Rondelle	5	
24	801229	Tuerca autoblocante Nut M-6 Ecrou	5	
25	775060	Cuerda nylon Cord Arceau	1	
26	561910	Pitón de fijación Fastenint spout Pivot du fixage	2	

MOTOCULTOR TIPO 7713, 7713L, 7714 - B - C



 Dibujo N Design N Dessin N		MOTOR, CAPERUZA Y SOPORTES ENGINE, HOOD AND SUPPORT 7714 MOTEUR, CAPOT ET SUPPORT			Pag. 10
Pos. Pos. Pos.	Ref. Ref. Ref.	Denominación Description Designation	Can. Qua. Qua.	Observaciones Remarks Observations	
28	808773	Motor Engine 3LD510 Moteur	1		
29	809047	Caperuza completa Hood Capot	1		
29a	811580	Caperuza completa (GLOBAL) Hood Capot	1	Desde maqu. From mach. De la mach.	
30	809002	Soporte frontal Frontal support Support frontal	1		
31	809003	Soporte de caperuza Hood support Support capot	1		
32	005951	Tuerca autoblocante Nut M-8 Ecrou	6		
33	809038	Defensa de motor Engine guard Défense du moteur	1		
34	808774	Motor Engine 3LD510 AE Moteur	1		
35	809064	Caperuza completa Hood Capot	1		
35a	811670	Caperuza para faros Hood Capot	1	Desde maqu. From mach. De la mach.	

MOTOCULTOR TIPO 7713, 7713L, 7714 - B - C



 Dibujo N 2 Design N Dessin N		MOTOR, CAPERUZA Y SOPORTES ENGINE, HOOD AND SUPPORT 7714-B MOTEUR, CAPOT ET SUPPORT			Pag. 11
Pos. Pos. Pos.	Ref. Ref. Ref.	Denominación Description Designation	Can. Qua. Qua.	Observaciones Remarks Observations	
36	809049	Motor Engine M-540 Moteur	1		
37	809051	Caperuza completa Hood Capot	1		
37a	811580	Caperuza completa (GLOBAL) Hood Capot	1	Desde maqu. From mach. De la mach.	
38	808921	Soporte delantero Front support Support avant	1		
39	001090	Tornillo hexagonal Screw M-8 x 20 Vis	4		
40	809922	Soporte de caperuza Hood support Support du capot	1		
41	807473	Defensa de motor Engine guard Défense du moteur	1		
42	809050	Motor Engine M-540 AE Moteur	1		
43	809065	Caperuza completa Hood Capot	1		
43a	811670	Caperuza para faros Hood Capot	1	Desde maqu. From mach. De la mach.	